

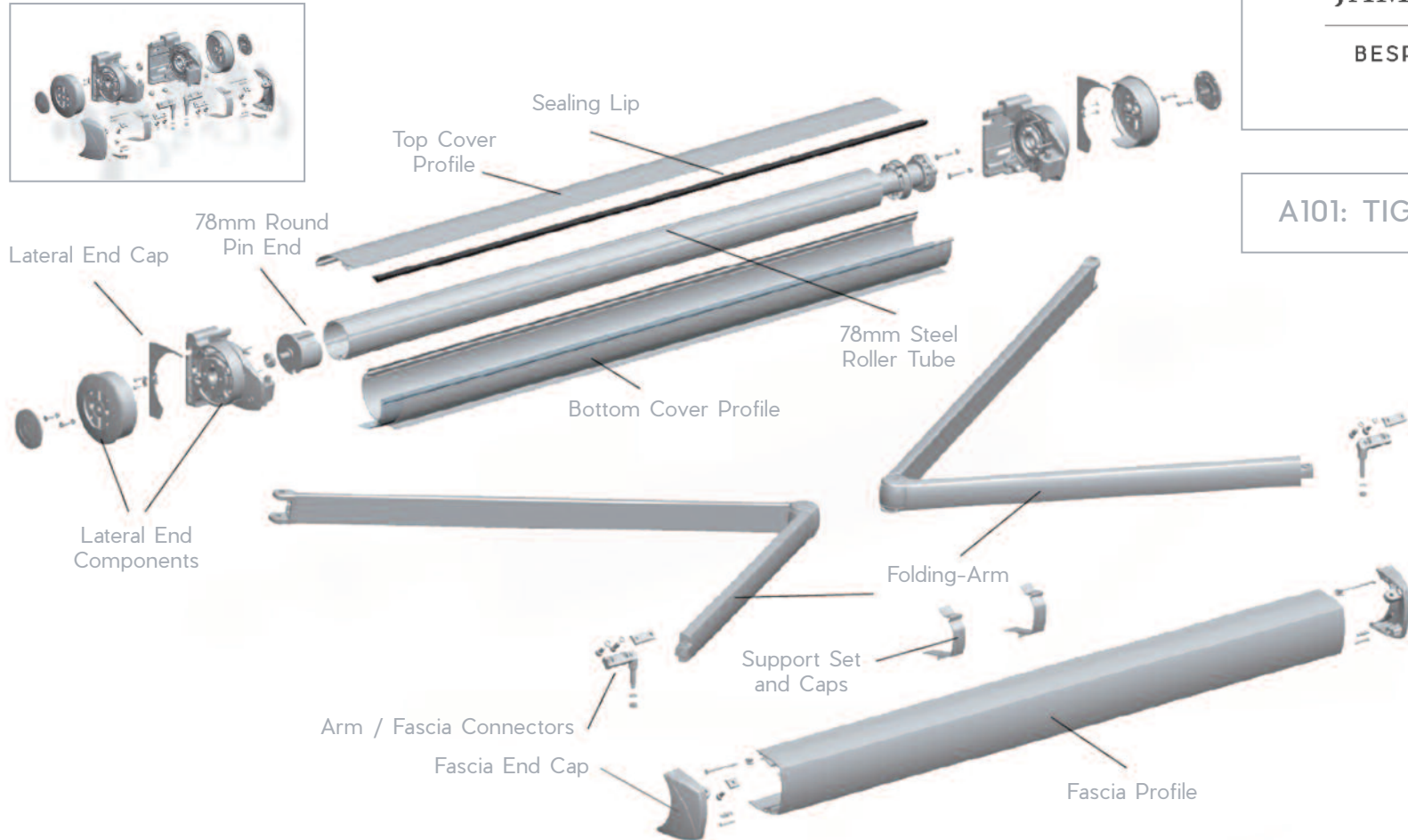


JAMES ROBERTSHAW

est.1860

BESPOKE AWNINGS & BLINDS

A101: TIGER INSTALLATION GUIDE



Contents

1. Safety notes, warnings & installation information	02
1.2. Basic notes on assembly and installation	03
1.3. Basic precautions for the safe handling of the awning	03
2. Installation information	03
2.1. Recommended tools and accessories for installation procedure	03
2.2. Product Description	03
2.3. Installation	03
2.4. Motor selection table	03
2.4. Classification	03
2.5. Arm identification	03
2.6. Total width for motor operation (L)	04
3. Installation instructions	03
3.1. Wall plate fixings	04
3.2. Fixing the cassette support to the wall bracket	04
3.3. Change the cassette pitch	04
3.4. Arm alignment	05
3.5. Positioning distance for the front rail connectors	05
3.6. Introduction of the joining insert and plastic caps	06
3.7. Installing the aluminium end cap to the cassette	06

1. Safety notes, warnings & installation information

1.1. Explanation of the safety notes:

Safety notes and important information are integrated in the text as appropriate. The following symbols are used to alert the reader/user of the instructions.



This symbol means that the relevant note is important for the safety of persons or for the function of the awning.



This symbol highlights important product information for the installation engineer.



1.2. Basic notes on assembly and installation:

- > Assembly and installation should be done by trained personnel.
- > **IMPORTANT SAFETY CONSIDERATIONS:** For proper installation of the awning, the instructions for assembly and installation must be carefully followed step by step. Keep plastic bags or any other pieces out of children's reach.
- > Do not alter the design or the configuration of the system, nor modify the installation method without consulting the manufacturer or an authorised representative.
- > If the awning is motorised and there is a switch, this should be placed so that the user does not interfere with the movement of the awning, and at a height of less than 1.3 metres when possible.
- > If the awning is manually operated, it should be accessible at a height of 1.8 metres.
- > If the awning is to be installed in windy areas where there are frequent blackouts, manual operation or the use of a back-up generator is recommended.
- > When installed systems are inspected or repaired, always disconnect them from the power supply.



1.3. Basic precautions for the safe handling of the awning:

- > The awning must be retracted in the event of rain, snow, hail or wind +38Km/h.
- > In the event of ice, if operation is particularly difficult and in the absence of safety measures, stop the operation until more favorable conditions prevail.
- > During opening and closing, make sure there is no obstacle which could get in the way. **NEVER FORCE THE AWNING!** If the awning does not move at all when you try to operate it, call a professional installer.
- > In the case of motorised awnings, it should be borne in mind that the motor features a thermal safety device to avoid overheating and breakdowns. This device is activated when the operating switches are pressed insistently.
- > Do not submit the installation to additional loads or stresses not covered by the manufacturer's configuration. Do not interfere with the system's installation components.
- > Examine the installation if it has been subjected to adverse weather conditions, and if any repairs are needed do not use it. In such cases, a professional installer should be called.
- > Keep the installation clean and in good condition. An annual maintenance check by an authorised professional installer is recommended.



IMPORTANT SAFETY INSTRUCTIONS. *The system has powerful springs within. In the event of poor installation, these may cause the awning to open sharply. If any irregularities are observed during opening or closing, call a professional installer. To avoid possible damage, do not allow children to play with the awning.*

2. Installation information

2.1. Recommended tools and accessories for installation procedure:

- > Drill.
- > Drill bits, suitable for drilling substrate and the fixing brackets.
- > Tape measure.
- > Allen keys.
- > Ring spanners.
- > Crosshead and flathead screwdriver.
- > Spirit level and string for alignment.
- > Pliers.

2.2. Product Description:

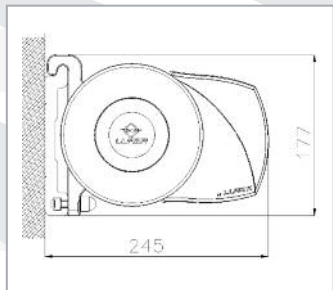
The A101: Tiger Folding-Arm Awning with adjustment of slope using an independent rack system.

- > Alignment of the arms: from the external threaded stud of the support.
- > Slope: 6-66° (face-fix install) and 18°-66° (top-fix install).
- > This system allows a width of 6.00 m. with no need of intermediate supports.
- > Its projection is 4,000mm using a 78mm diameter steel roller tube.
- > It is designed entirely in metal, giving it an impeccable appearance of high aesthetic value and top quality.

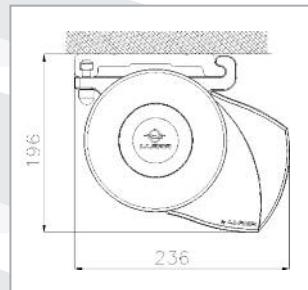
2.3. Installation:

Section dimensions

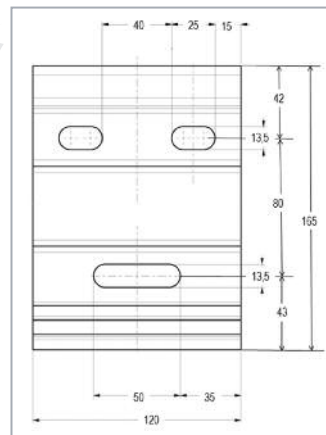
Face-fix brackets



Top-fix brackets



Installation bracket



2.4. Motor selection table:

Ø70 Rolling Tube		Width (mm)								
		2,000	2,500	3,000	3,500	4,000	4,500	5,000	5,500	6,000
Projection (mm)	1,500	30	30	30	30	30	30	30	30	30
	2,000		30	30	30	30	30	30	30	30
	2,500			35	35	35	35	35	35	35
	3,000				35	35	40	40	40	40
	3,500					40	40	40	40	50
	4,000						50	50	50	50

Ø80 Rolling Tube		Width (mm)								
		2,000	2,500	3,000	3,500	4,000	4,500	5,000	5,500	6,000
Projection (mm)	1,500	30	30	30	30	30	30	30	30	30
	2,000		30	35	35	35	35	35	35	35
	2,500			40	40	40	40	40	40	40
	3,000				50	50	50	50	50	50
	3,500					50	50	50	50	50
	4,000						50	50	50	50

2.4. Classification according to European standard EN 13.561:2015

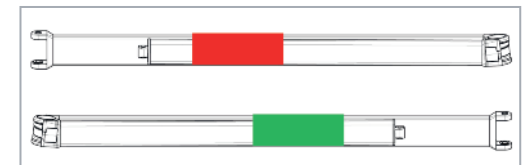
Arm Projection (mm)	Width (mm)	Class
4,000mm	6,000mm	C.1: 28 - 37Km/h

2.5. Arm identification:

The arms have a protective band for correct identification:

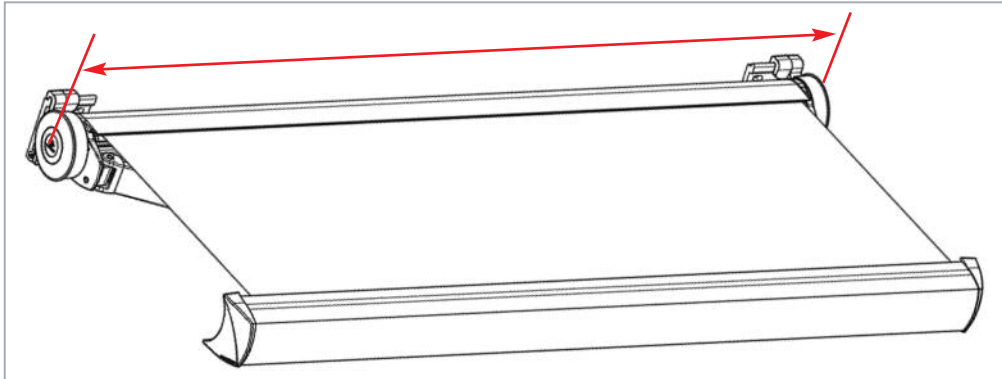
GREEN: Right hand side viewed from outside

RED: Left hand side viewed from outside



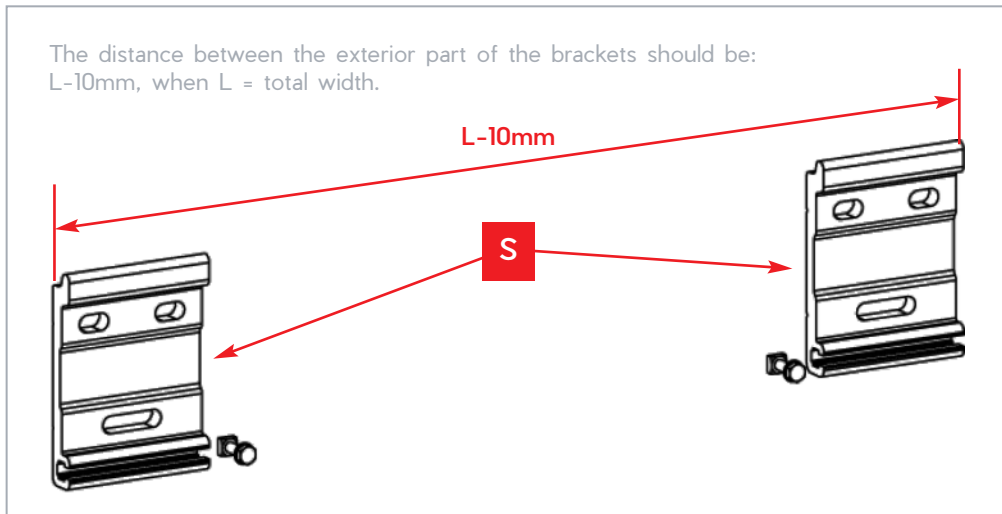
⚠ NEVER EXTRACT THE SAFETY TENSION BANDS UNTIL THE ARM HAS BEEN FIXED TO THE FRONT PROFILE.

2.6. Total width for motor operation (L):

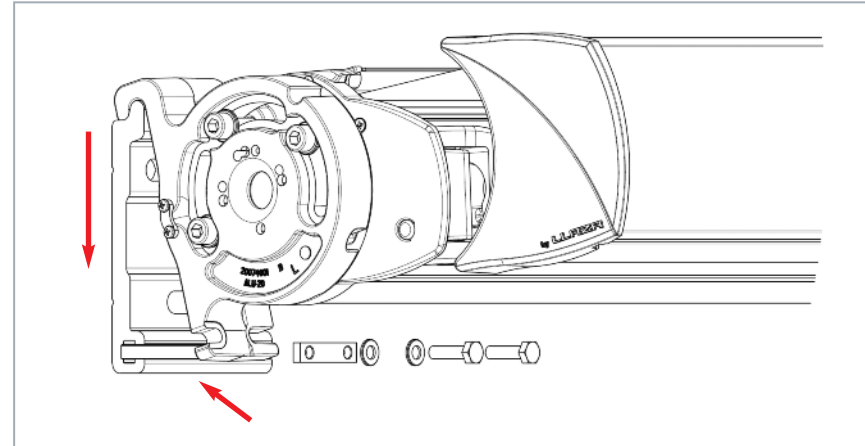


3. Installation instructions

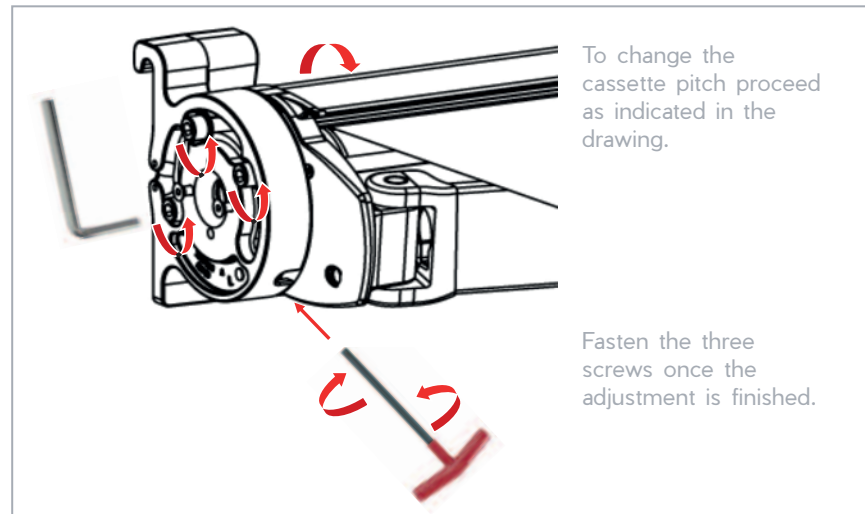
3.1. Bracket installation:



3.2. Installing the awning into brackets:



3.3. Change the cassette pitch:

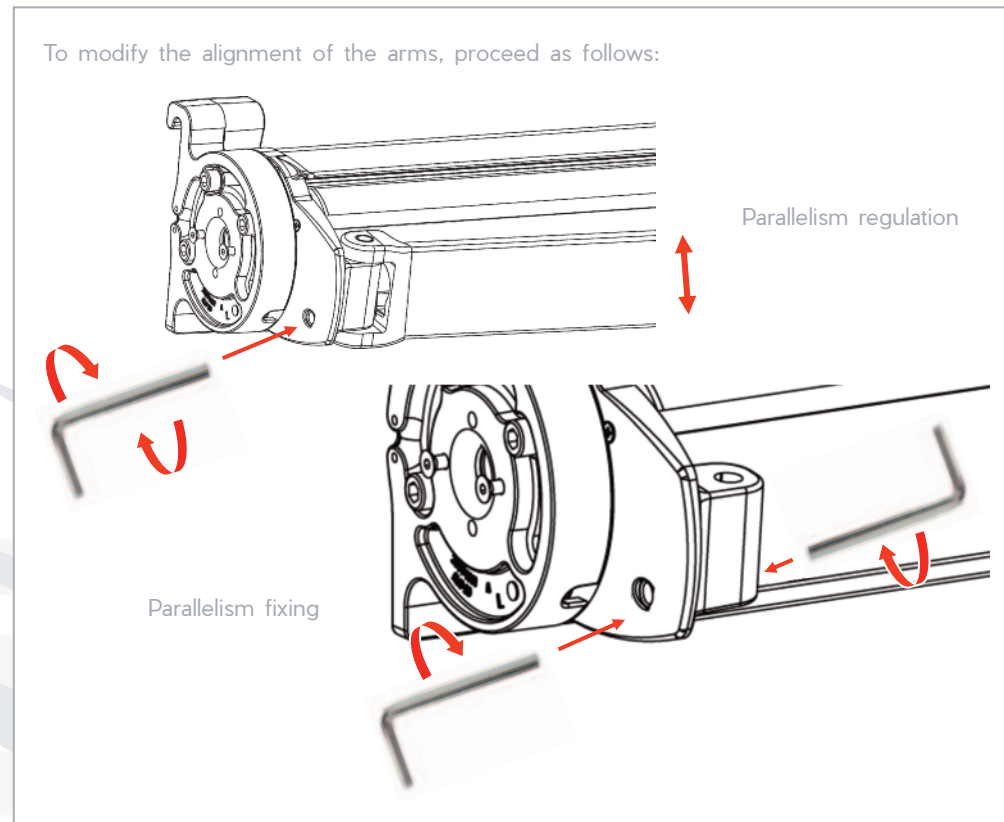


To change the cassette pitch proceed as indicated in the drawing.

Fasten the three screws once the adjustment is finished.

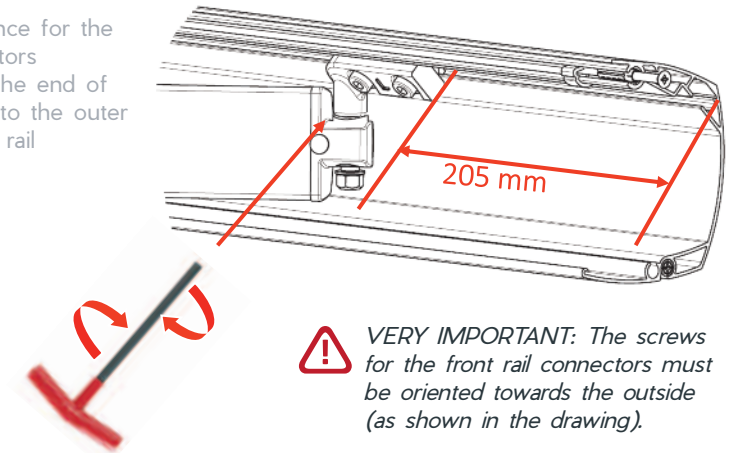
3.4. Arm alignment:

To modify the alignment of the arms, proceed as follows:



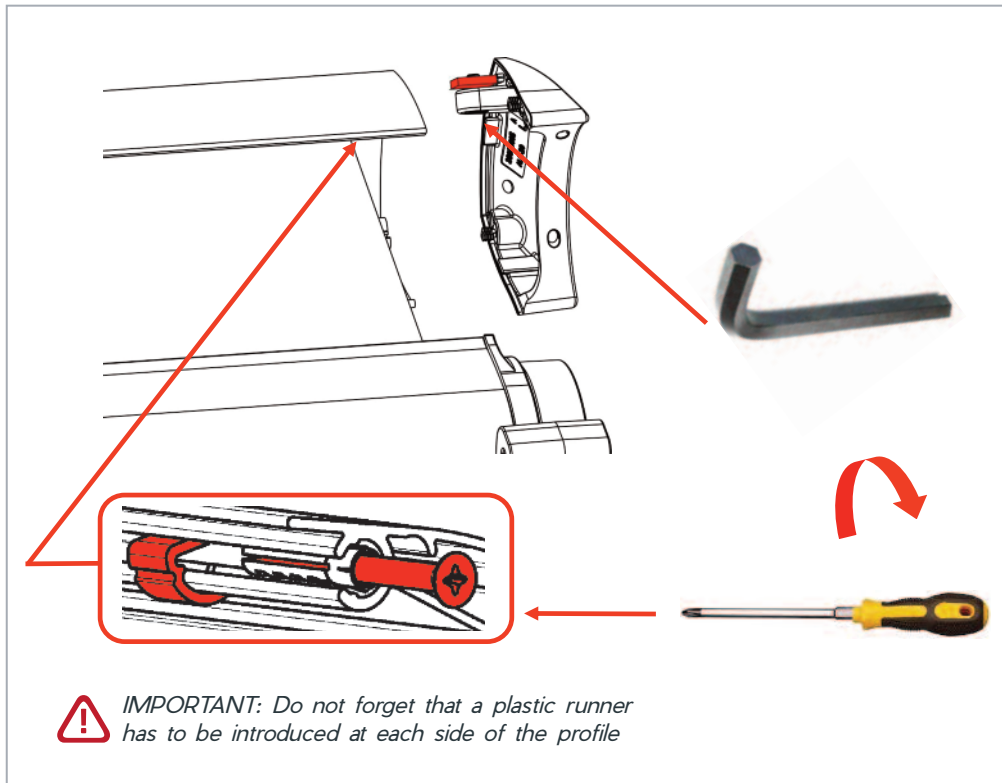
3.5. Positioning distance for the front rail connectors:

Positioning distance for the front rail connectors measured from the end of the front profile to the outer end of the front rail connector.

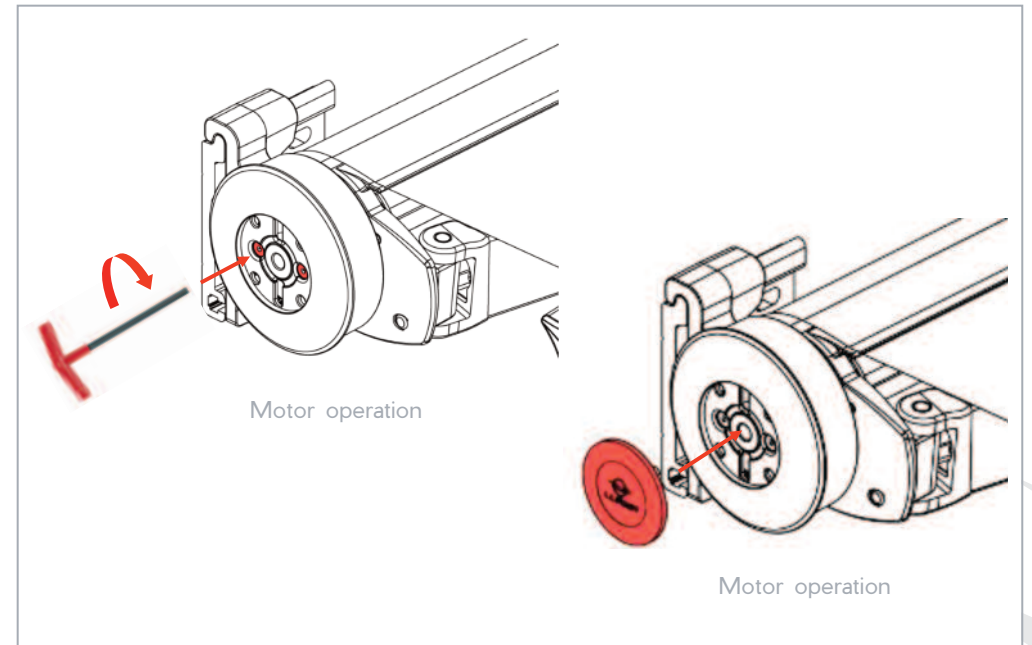


! VERY IMPORTANT: The screws for the front rail connectors must be oriented towards the outside (as shown in the drawing).

3.6. Introduction of the joining insert and lateral end caps.



3.7. Installing the side aluminium cap to the cassette structure.



A101: FOLDING-ARM AWNING COLLECTION

**A101: Cheetah****Residential | Light Commercial
Non-Cassette System**

> Operation: Mechanical gearbox | RTS or IO Somfy motor

- > Specification: Width (mm): Up to 6,000 in a single section with 2 x folding-arms, 7,000 with 3 x folding-arms, 18,000 in a coupled section with up to 6 x folding-arms
- > Specification: Projection (mm): 1,500, 2,000, 2,500, 3,000
- > Application: Residential | light commercial installations
- > Standard Fabrics: Irisun acrylic collection | Ferrari Precontraint 302 PVC
- > Wind classification: Beaufort 5 - fresh breeze and Beaufort 6 - strong wind

**A101: Bobcat****Residential | Light Commercial
Full-Cassette System**

> Operation: Mechanical gearbox | RTS or IO Somfy motor

- > Specification: Width (mm): Up to 4,500 in a single section with 2 x folding-arms
- > Specification: Projection (mm): 1,500, 2,000, 2,500
- > Application: Residential | light commercial installations
- > Standard Fabrics: Irisun acrylic collection | Ferrari Precontraint 302 PVC
- > Wind classification: Beaufort 5 - fresh breeze

**A101: Puma****Residential | Commercial
Full-Cassette System**

> Operation: Mechanical gearbox | RTS or IO Somfy motor

- > Specification: Width (mm): Up to 5,000 in a single section with 2 x folding-arms
- > Specification: Projection (mm): 1,500, 2,000, 2,500, 3,000
- > Application: Residential | light commercial installations
- > Standard Fabrics: Irisun acrylic collection | Ferrari Precontraint 302 PVC
- > Wind classification: Beaufort 5 - fresh breeze and Beaufort 6 - strong wind

**A101: Jaguar****Commercial Non-Cassette System**

> Operation: Mechanical gearbox | RTS or IO Somfy motor

> Specification: Width (mm): Up to 6,500

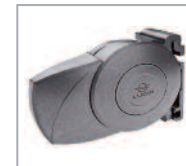
- in a single section with 2 x folding-arms, 7,000 with 3 x folding-arms, 19,500 in a coupled section with up to 6 x folding-arms
- > Specification: Projection (mm): 1,500, 2,000, 2,500, 3,000, 3,500, 4,000, 4,500
- > Application: Commercial installations
- > Standard Fabrics: Irisun acrylic collection | Ferrari Precontraint 302 PVC
- > Wind classification: Beaufort 6 - strong wind

**A101: Panther****Commercial Semi-Cassette System**

> Operation: Mechanical gearbox | RTS or IO Somfy motor

> Specification: Width (mm): Up to 6,500

- in a single section with 2 x folding-arms, 7,000 with 3 x folding-arms, 19,500 in a coupled section with up to 6 x folding-arms
- > Specification: Projection (mm): 1,500, 2,000, 2,500, 3,000, 3,500, 4,000, 4,500
- > Application: Commercial installations
- > Standard Fabrics: Irisun acrylic collection | Ferrari Precontraint 302 PVC
- > Wind classification: Beaufort 6 - strong wind

**A101: Tiger****Residential | Commercial
Full-Cassette System**

> Operation: Mechanical gearbox | RTS or IO Somfy motor

- > Specification: Width (mm): Up to 6,000 in a single section with 2 x folding-arms
- > Specification: Projection (mm): 2,000, 2,500, 3,000, 3,500, 4,000
- > Application: Residential | commercial installations
- > Standard Fabrics: Irisun acrylic collection | Ferrari Precontraint 302 PVC
- > Wind classification: Beaufort 6 - strong wind



ROLLER BLINDS



VERTICAL BLINDS



SKYLIGHT BLINDS



BESPOKE BLINDS



AWNINGS



CANOPIES



PARASOLS



GLASS PERGOLAS



RETRACTABLE ROOFS



BARRIERS



PLANTERS



RETRACTABLE
PARAPET GLASS



JAMES ROBERTSHAW
est.1860
BESPOKE AWNINGS & BLINDS