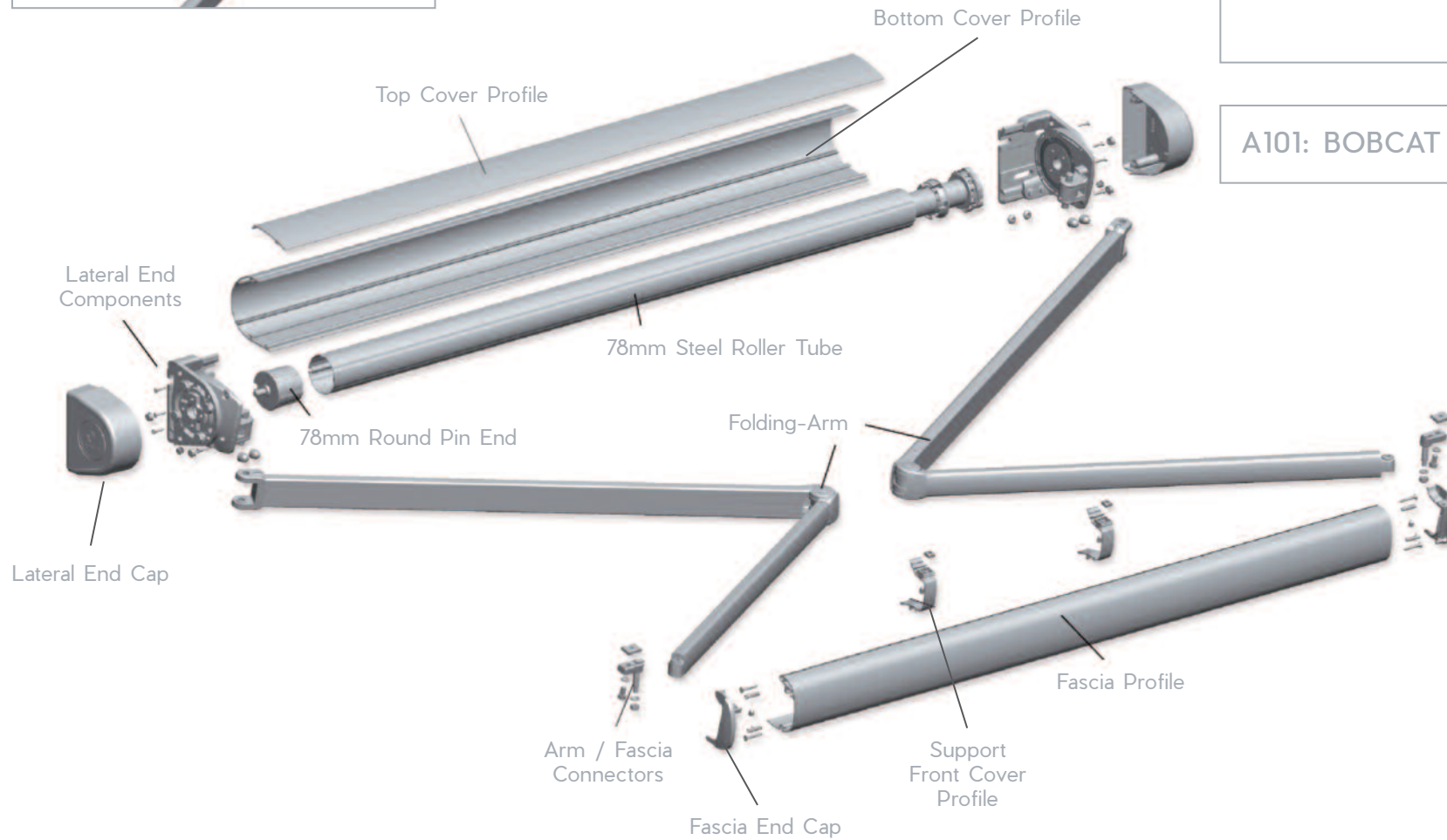


**JAMES ROBERTSHAW**  
 est.1860  
**BESPOKE AWNINGS & BLINDS**

**A101: BOBCAT INSTALLATION GUIDE**



## Contents

1. Safety notes, warnings & installation information .....	02
1.2. Basic notes on assembly and installation .....	02
1.3. Basic precautions for the safe handling of the awning .....	03
2. Installation information .....	03
2.1. Recommended tools and accessories for installation procedure .....	03
2.2. Product Description .....	03
2.3. Installation .....	03
2.4. Motor selection table .....	04
2.5. Classification .....	04
2.6. Arm identification .....	04
2.7. Total width for motor operation (L) .....	04
3. Installation instructions .....	04
3.1. Wall plate fixings .....	04
3.2. Fixing the cassette support to the wall bracket .....	05
3.3. Change the cassette pitch .....	05
3.4. Arm alignment .....	05
3.5. Modify front rail connectors .....	05
3.6. Joining insert and plastic caps .....	05
3.7. Cutting and filing the slot for the gearbox hook .....	06
3.8. Installing the side aluminium cap to the cassette .....	06

## 1. Safety notes, warnings & installation information

### 1.1. Explanation of the safety notes:

Safety notes and important information are integrated in the text as appropriate. The following symbols are used to alert the reader/user of the instructions.



This symbol means that the relevant note is important for the safety of persons or for the function of the awning.



This symbol highlights important product information for the installation engineer.




### 1.2. Basic notes on assembly and installation:

- › Assembly and installation should be done by trained personnel.
- › **IMPORTANT SAFETY CONSIDERATIONS:** For proper installation of the awning, the instructions for assembly and installation must be carefully followed step by step. Keep plastic bags or any other pieces out of children's reach.
- › Do not alter the design or the configuration of the system, nor modify the installation method without consulting the manufacturer or an authorised representative.
- › If the awning is motorised and there is a switch, this should be placed so that the user does not interfere with the movement of the awning, and at a height of less than 1.3 metres when possible.
- › If the awning is manually operated, it should be accessible at a height of 1.8 metres.
- › If the awning is to be installed in windy areas where there are frequent blackouts, manual operation or the use of a back-up generator is recommended.
- › When motorised units are inspected or repaired, always disconnect them from the power supply.

### 1.3. Basic precautions for the safe handling of the awning:

- > The awning must be retracted in the event of rain, snow, hail or wind +38Km/h.
- > In the event of ice, if operation is particularly difficult and in the absence of safety measures, stop the operation until more favorable conditions prevail.
- > During opening and closing, make sure there is no obstacle which could get in the way. NEVER FORCE THE AWNING! If the awning does not move at all when you try to operate it, call a professional installer.
- > In the case of motorised awnings, it should be borne in mind that the motor features a thermal safety device to avoid overheating and breakdowns. This device is activated when the operating switches are pressed insistently.
- > Do not submit the installation to additional loads or stresses not covered by the manufacturer's configuration. Do not interfere with the system's fixing components.
- > Examine the installation if it has been subjected to adverse weather conditions, and if any repairs are needed do not use it. In such cases, a professional installer should be called.
- > Keep the installation clean and in good condition. An annual maintenance check by an authorised professional installer is recommended.

 **IMPORTANT SAFETY INSTRUCTIONS.** *The system has powerful springs within. In the event of poor installation, these may cause the awning to open sharply. If any irregularities are observed during opening or closing, call a professional installer. To avoid possible damage, do not allow children to play with the awning.*

## 2. Installation information

### 2.1. Recommended tools and accessories for installation procedure:

- > Drill.
- > Drill bits, suitable for drilling substrate and the fixing brackets.
- > Tape measure.
- > Allen keys.
- > Ring spanners.
- > Crosshead and flathead screwdriver.
- > Spirit level and string for alignment.
- > Pliers.
- > Saw.
- > File.

### 2.2. Product Description:

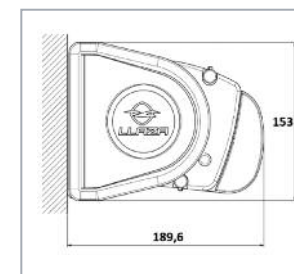
The A101: Bobcat is a light cassette awning, very easy to install. The ideal dimensions for use in small spaces while still providing numerous benefits.

- > The cassette system protects the fabric and the awning mechanism when retracted.
- > Despite its small dimensions it achieves maximum dimensions of 4,50 m. width x 2,50 m. projection.
- > End caps are in aluminium to give greater feeling of robustness and a more uniformity of finish.

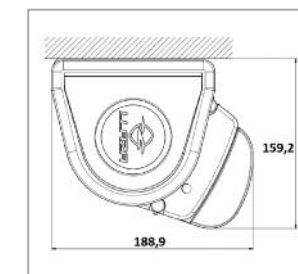
### 2.3. Installation:

#### Section dimensions

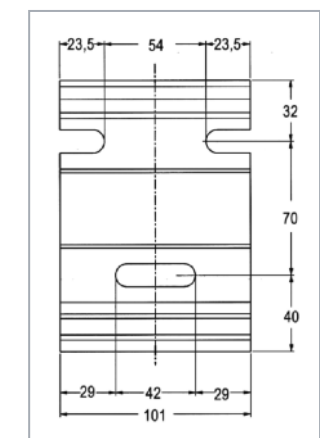
Face-fix brackets



Top-fix brackets



Installation bracket



2.4. Motor selection table:

	Projection (mm)					
	1,250	1,500	1,750	2,000	2,250	2,500
Rolling tube Ø70mm	30 Nm					
Rolling tube Ø80mm	40 Nm					

2.5. Classification according to European standard EN 13.561:2015

Arm Projection (mm)	Width (mm)	Class
2,500	4,500	C.1

2.6. Arm identification:

The arms have a protective band for correct identification:

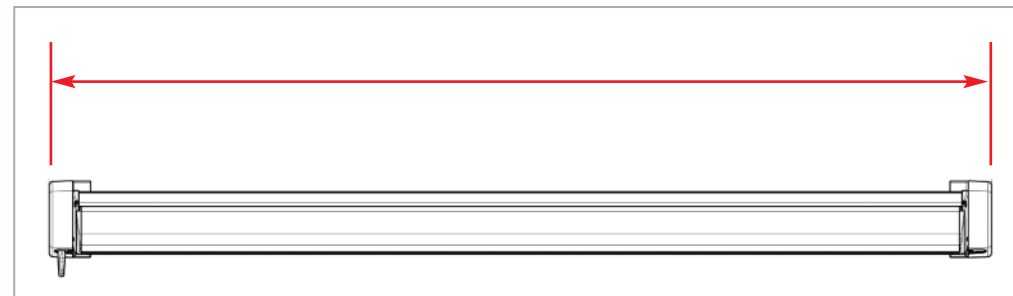
**GREEN:** Right hand side viewed from outside

**RED:** Left hand side viewed from outside



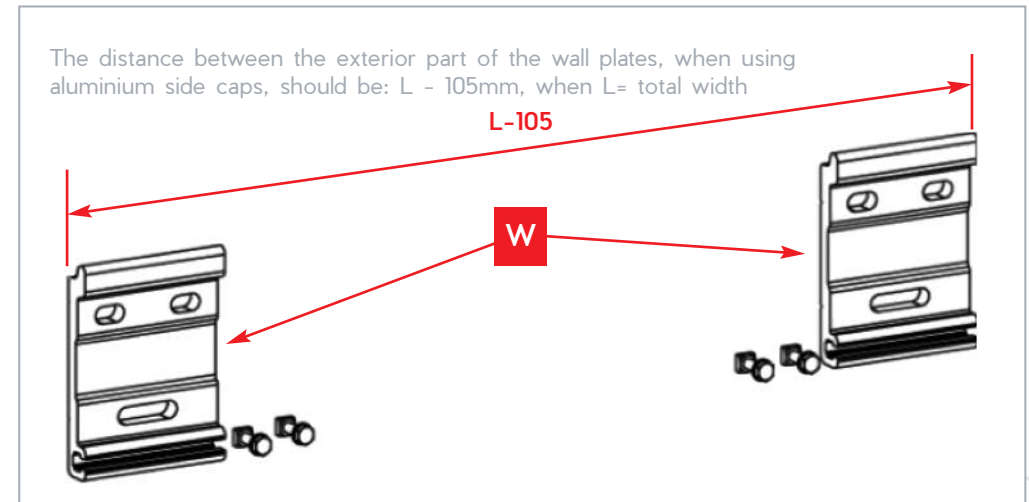
**!** NEVER EXTRACT THE SAFETY TENSION BANDS UNTIL THE ARM HAS BEEN FIXED TO THE FRONT PROFILE.

2.7. Total width for interior gearbox or motor (L):

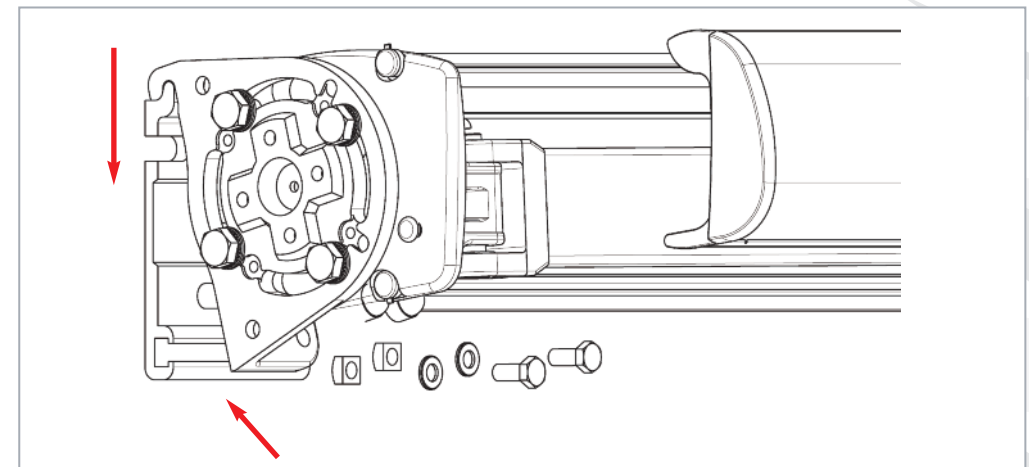


3. Installation instructions

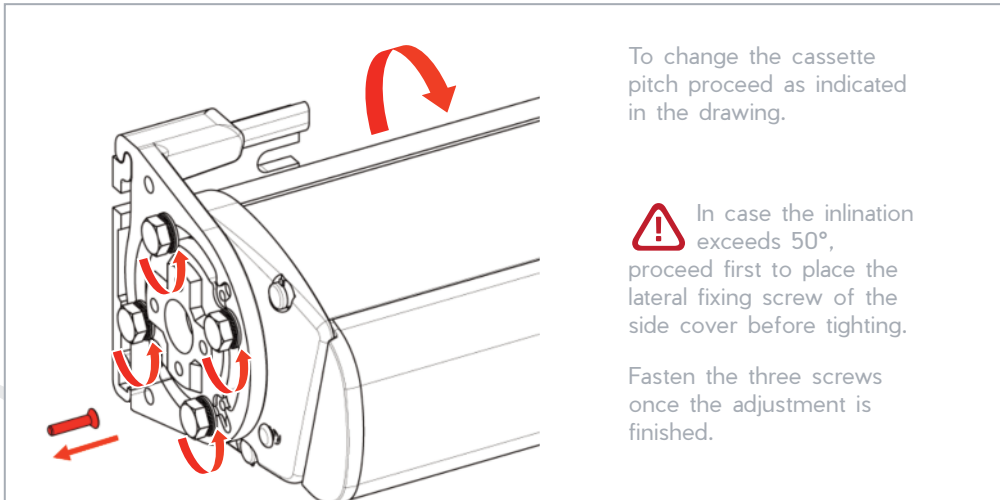
3.1. Face-fix bracket installation:



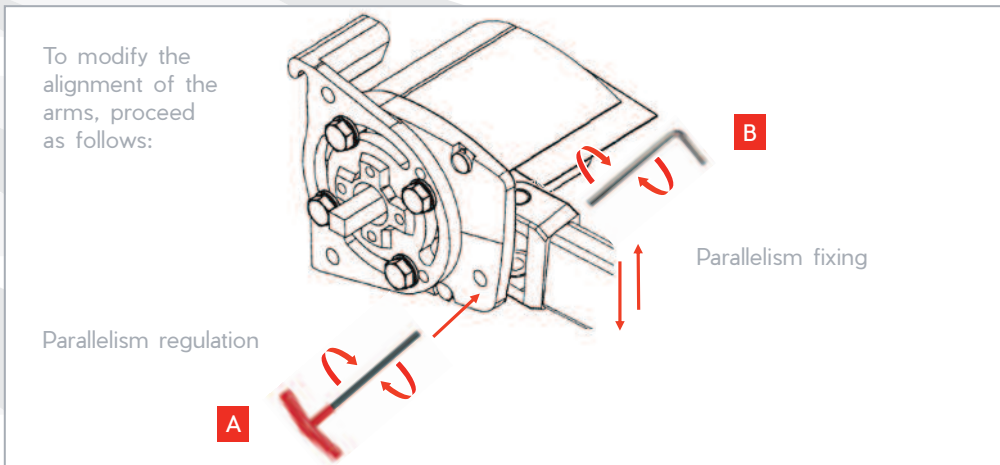
3.2. Installing the awning to the wall bracket:



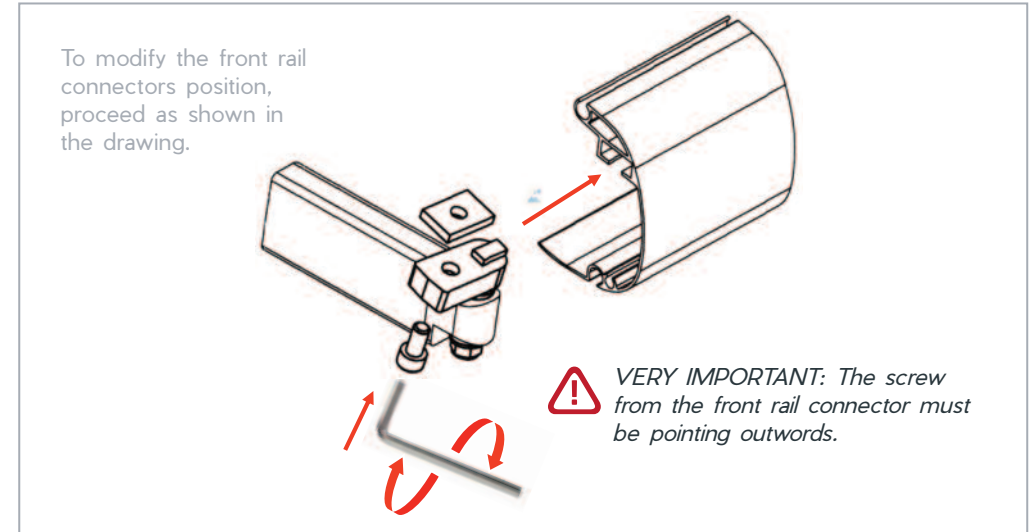
### 3.3. Change the cassette pitch:



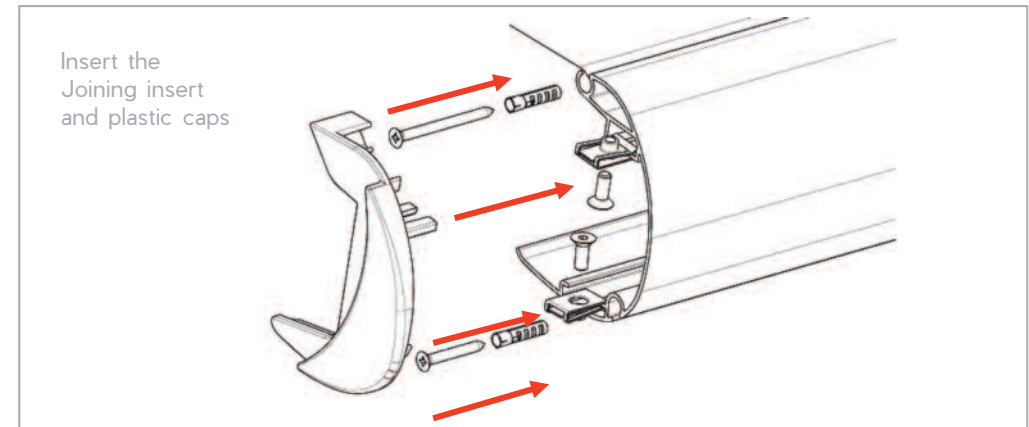
### 3.4. Arm alignment:



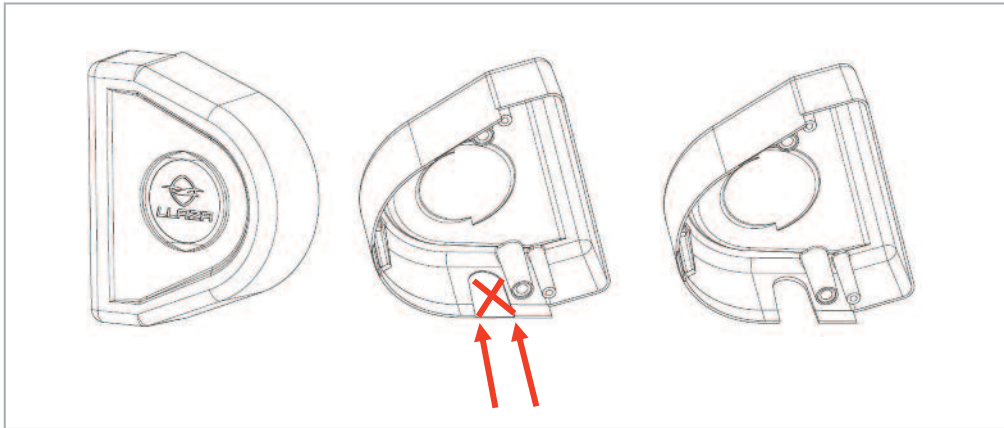
### 3.5. Modify front rail connectors:



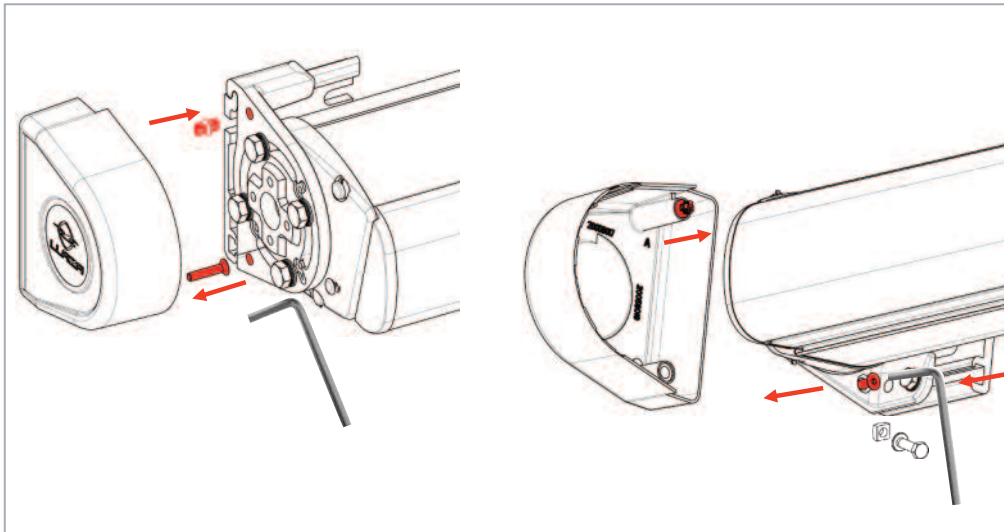
### 3.6. Joining insert and plastic caps:



3.7. Cutting and filing the slot for the gearbox hook:



3.8. Installing the lateral end cap to the cassette:



## A101: FOLDING-ARM AWNING COLLECTION

**A101: Cheetah****Residential | Light Commercial Non-Cassette System**

> Operation: Mechanical gearbox | RTS or IO Somfy motor

- > Specification: Width (mm): Up to 6,000 in a single section with 2 x folding-arms, 7,000 with 3 x folding-arms, 18,000 in a coupled section with up to 6 x folding-arms
- > Specification: Projection (mm): 1,500, 2,000, 2,500, 3,000
- > Application: Residential | light commercial installations
- > Standard Fabrics: Irisun acrylic collection | Ferrari Precontraint 302 PVC
- > Wind classification: Beaufort 5 - fresh breeze and Beaufort 6 - strong wind

**A101: Bobcat****Residential | Light Commercial Full-Cassette System**

> Operation: Mechanical gearbox | RTS or IO Somfy motor

- > Specification: Width (mm): Up to 4,500 in a single section with 2 x folding-arms
- > Specification: Projection (mm): 1,500, 2,000, 2,500
- > Application: Residential | light commercial installations
- > Standard Fabrics: Irisun acrylic collection | Ferrari Precontraint 302 PVC
- > Wind classification: Beaufort 5 - fresh breeze

**A101: Puma****Residential | Commercial Full-Cassette System**

> Operation: Mechanical gearbox | RTS or IO Somfy motor

- > Specification: Width (mm): Up to 5,000 in a single section with 2 x folding-arms
- > Specification: Projection (mm): 1,500, 2,000, 2,500, 3,000
- > Application: Residential | light commercial installations
- > Standard Fabrics: Irisun acrylic collection | Ferrari Precontraint 302 PVC
- > Wind classification: Beaufort 5 - fresh breeze and Beaufort 6 - strong wind

**A101: Jaguar****Commercial Non-Cassette System**

> Operation: Mechanical gearbox | RTS or IO Somfy motor

> Specification: Width (mm): Up to 6,500

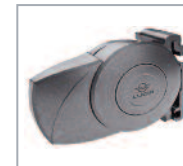
- in a single section with 2 x folding-arms, 7,000 with 3 x folding-arms, 19,500 in a coupled section with up to 6 x folding-arms
- > Specification: Projection (mm): 1,500, 2,000, 2,500, 3,000, 3,500, 4,000, 4,500
- > Application: Commercial installations
- > Standard Fabrics: Irisun acrylic collection | Ferrari Precontraint 302 PVC
- > Wind classification: Beaufort 6 - strong wind

**A101: Panther****Commercial Semi-Cassette System**

> Operation: Mechanical gearbox | RTS or IO Somfy motor

> Specification: Width (mm): Up to 6,500

- in a single section with 2 x folding-arms, 7,000 with 3 x folding-arms, 19,500 in a coupled section with up to 6 x folding-arms
- > Specification: Projection (mm): 1,500, 2,000, 2,500, 3,000, 3,500, 4,000, 4,500
- > Application: Commercial installations
- > Standard Fabrics: Irisun acrylic collection | Ferrari Precontraint 302 PVC
- > Wind classification: Beaufort 6 - strong wind

**A101: Tiger****Residential | Commercial Full-Cassette System**

> Operation: Mechanical gearbox | RTS or IO Somfy motor

- > Specification: Width (mm): Up to 6,000 in a single section with 2 x folding-arms
- > Specification: Projection (mm): 2,000, 2,500, 3,000, 3,500, 4,000
- > Application: Residential | commercial installations
- > Standard Fabrics: Irisun acrylic collection | Ferrari Precontraint 302 PVC
- > Wind classification: Beaufort 6 - strong wind



ROLLER BLINDS



VERTICAL BLINDS



SKYLIGHT BLINDS



BESPOKE BLINDS



AWNINGS



CANOPIES



PARASOLS



GLASS PERGOLAS



RETRACTABLE ROOFS



BARRIERS



PLANTERS



RETRACTABLE  
PARAPET GLASS



JAMES ROBERTSHAW  
est.1860  
BESPOKE AWNINGS & BLINDS