

Installation Manual  
**Skyroof Prestige**

Dear Customer,

Installation manual contains suggestions and rules for fast and exact installation of our product. We recommend you to read our instruction carefully.

During installation all necessary actions have to be carried out by authorized and specialized technicians.

All unauthorized interventions during warranty period will invalidate the warranty.

# INDEX

---

1. Symbols, Precautions and Warnings .....	04
2. Terminology .....	05
3. Packaging .....	06
4. Installation Steps .....	09
5. Programming / Resetting of Panels and Lights .....	32
6. Sensors and Automation .....	37
8. Tools .....	43
9. Frequently Asked Questions .....	47
10. Risk Table .....	48

# 1. SYMBOLS, PRECAUTIONS AND WARNINGS

## 1.1. Symbols



**Attention:** General operation notes.



**Attention:** General hazards; possible risk for persons.



**Attention:** Electrical hazard.



**Attention:** Risk of crushing hands.



**Contact:** Palmiye service department or related parties.



You can scan the barcodes located next to the titles in the page to see video demonstration of the related steps.

## 1.2. Precautions and Warnings

The installation and maintenance personals (installers, electricians etc.) must have sufficient expertise and knowledge for undertaking the task at hand.



In case of anomalies, immediately stop the work and contact service department of Palmiye.

Palmiye will not be responsible on use of non-original parts or unauthorized interventions and modifications for damage caused to people or animals or property.

It is forbidden to tamper to bioclimatic pergola system.

### General Precautions

Before starting of any assembly, maintenance or cleaning operations, make sure that you have fully understood the indications in this manual.

All electrical connections for Skyroof Prestige must be made by qualified personnel.



In case of any incompatibility, call Palmiye.

#### General Safety Precautions

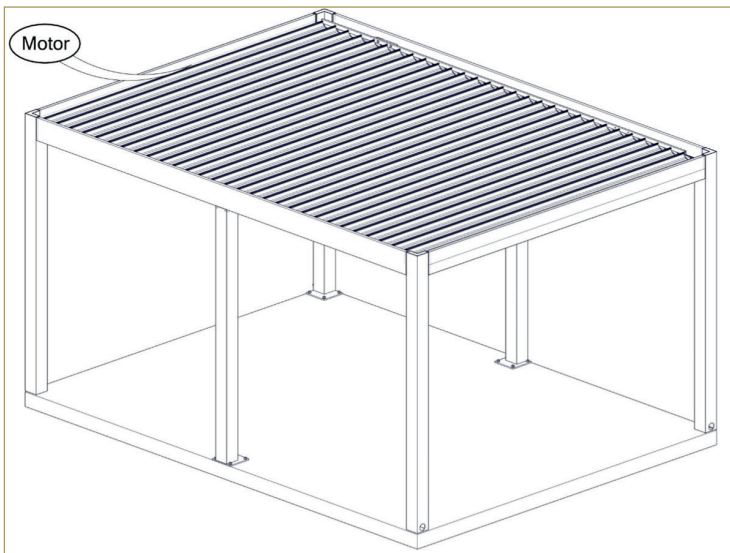
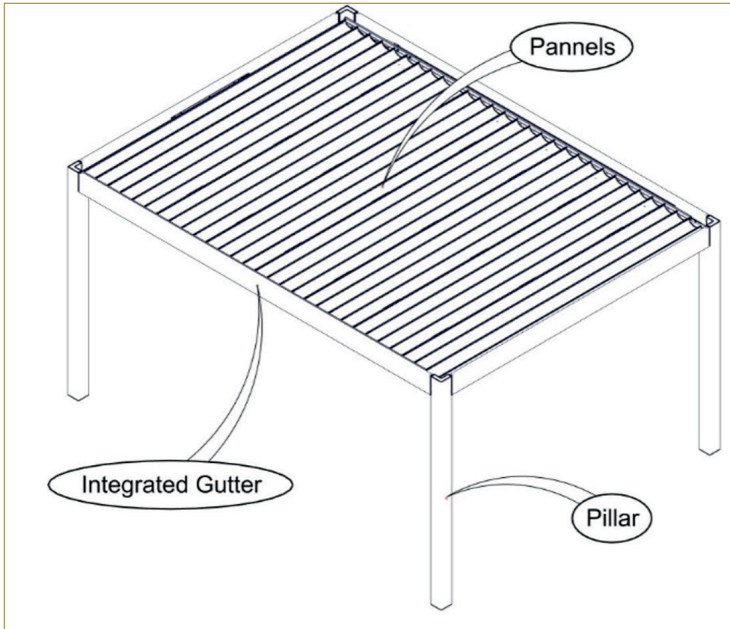
When using the panels, it is good practice to remember that all moving parts can be a source of danger.



Make sure that power supply is cut off during maintenance.

It is recommended never to intervene on moving parts and to ensure that no operator is near to the panels before reactivating it after a technical or maintenance intervention.

## 2. TERMINOLOGY



The Motor works with 120V/60Hz or 230V/50Hz. If you have a lighting option, you need to use the lighting control box. The control box works with 120V/60Hz or 230V/50Hz

### 3. PACKAGING

#### 3.1. Preliminary Checks

On receipt of the packed goods and before starting their assembly, check the integrity of the material and the presence of all the components necessary for the installation.



In case of anomalies, immediately stop the work and contact with hospital.



Fixing elements such as screws, plugs etc. are included in the box.



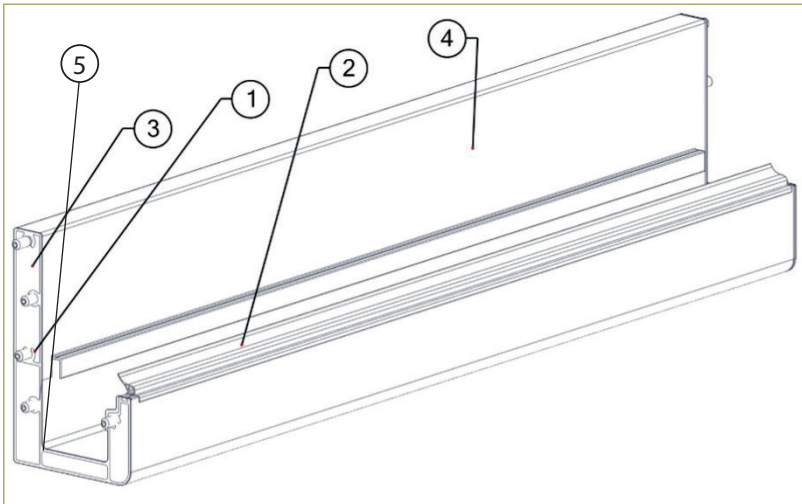
If not please contact service department of Palmiye.



Do not use a knife to avoid the risk of ruining the paint or other materials.

#### 3.2. Packed Parts

##### 3.2.1. Integrated Gutter

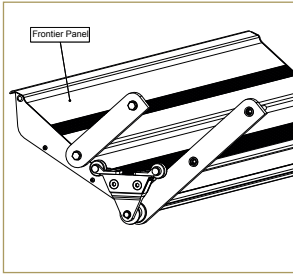


BOM ID	Description	Qty
1	M10x60mm Stay Bolt	10
2	Gasket	1
3	Side Gasket	2
4	Integrated Gutter Profile	1
5	M6x40 stay Bolt	2

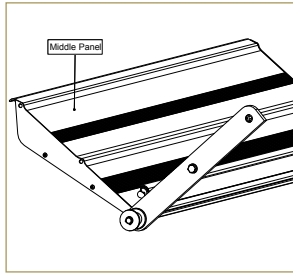
### 3.2.2. Panels

There are 3 different packed panels.

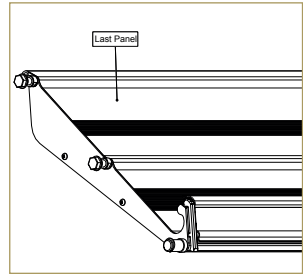
#### 3.2.2.1. Frontier panel



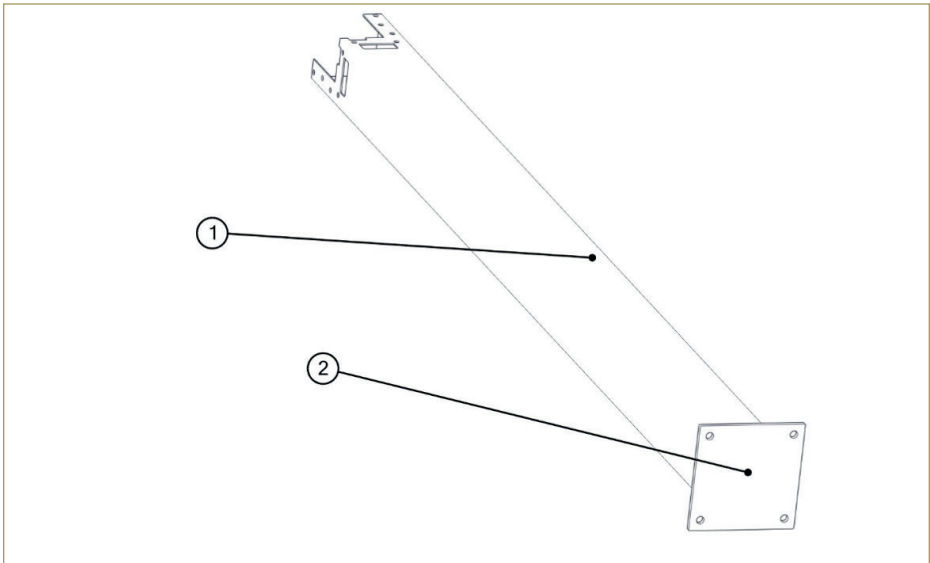
#### 3.2.2.2. Middle panel



#### 3.2.2.3. Back panel



### 3.2.3. Pillars



BOM ID	Description	Qty
1	150x150x3mm Pillar (CNC Operated for connection to Integrated Gutter)	1
2	250x250x10mm Base Plate	1

### 3.2.4. Boxes

#### 1. Electrical Box

Control Unit Box and Remote Controls are on Electric box. It has a red label on the box.



**ELECTRIC**

#### 2. Metal Box

U Brackets, Mounting brackets, Pillar caps. It has a blue label on the box.



**METAL**

#### 3. Plastic Box

Corner Plastics,



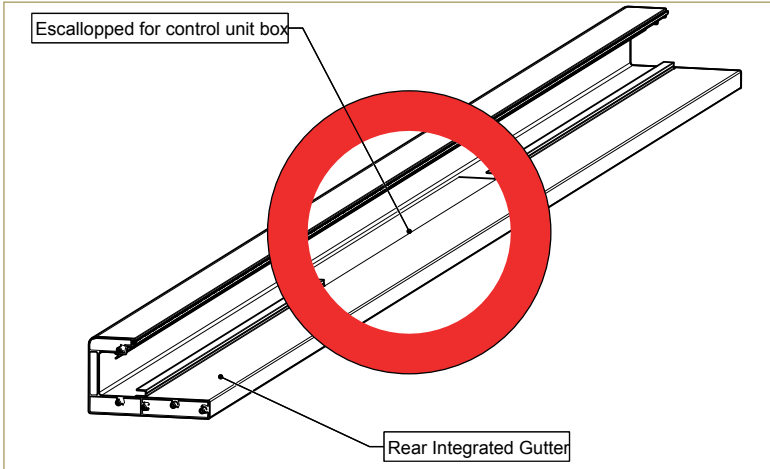
**PLASTIC**



## 4. INSTALLATION STEPS

### 4.1. Structure Installation

Note: Rear Integrated Gutter has escalated completely by CNC machine in order to place to Motor tube.



Follow related product step;

4.1.1. Wall installation (move to step 4.1.1.)

4.1.2. Ceiling installation (move to step 4.1.2.)

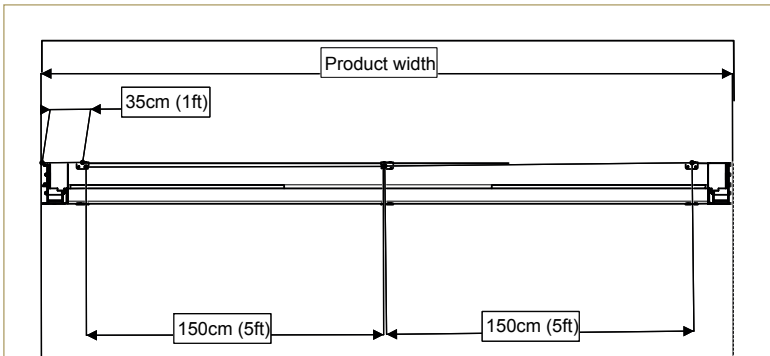
4.1.3. Free standing (move to step 4.1.3.)



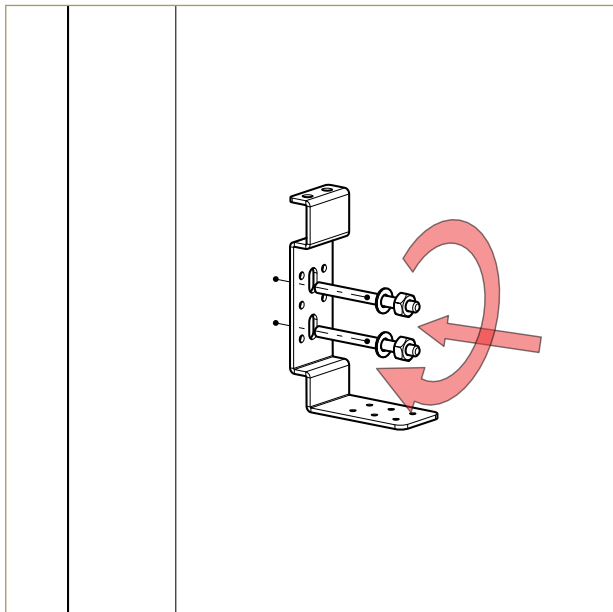
#### 4.1.1. Wall installation

With the help of laser, all hole locations should be marked at the same level and holes should be drilled with  $\varnothing 16$  mm drill. The bracket must away 35cm (1' – 2") from the corner.

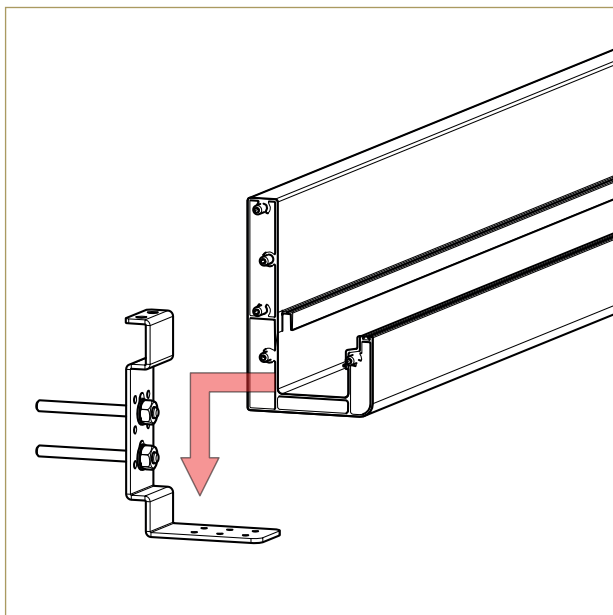
Brackets should be fixed for every 150cm (5ft).



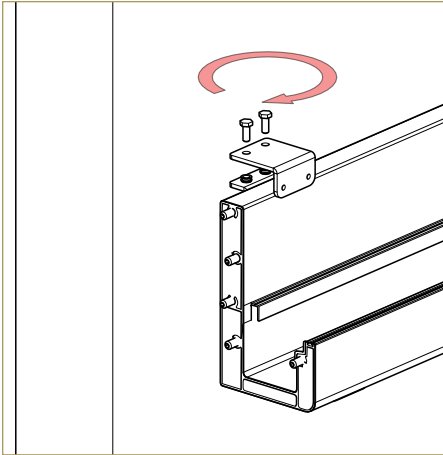
Fasten of the M12 steel rod to the wall and tighten of rods.



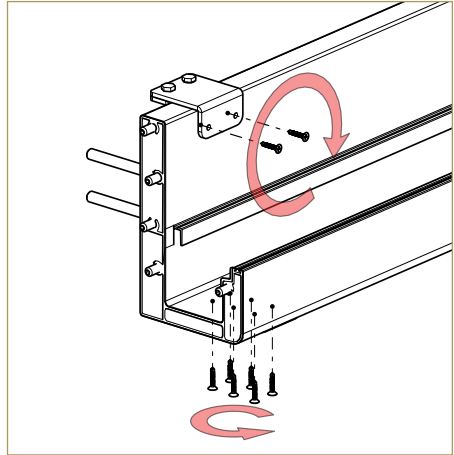
Place the Integrated gutter to the wall mounting bracket.



Fasten the wall mounting bracket cover on top and tighten by M8x25mm bolt.

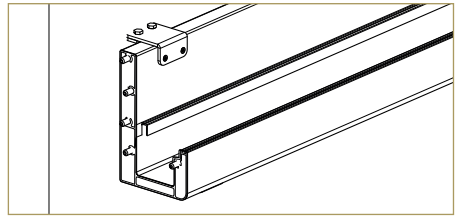


Fix by self-drilling screw to integrated gutter and wall mounting bracket.



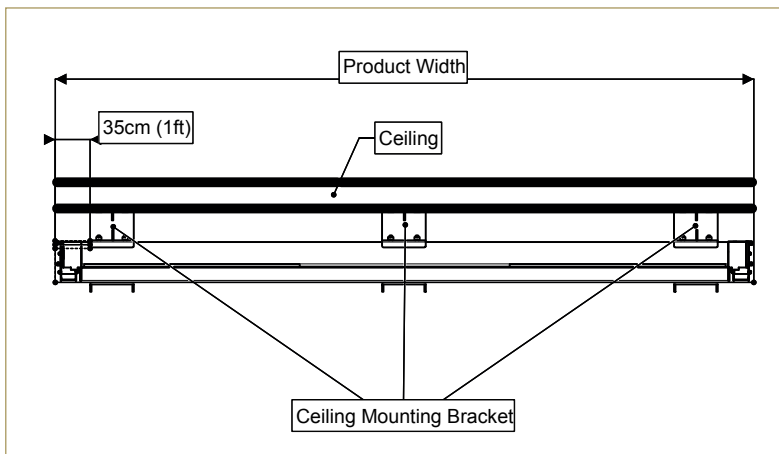
Important: All screwing should be discarded after product size control.

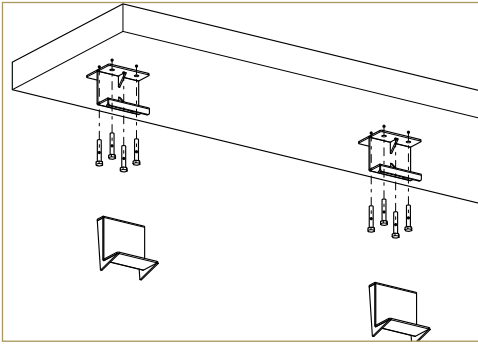
The Final view;



#### 4.1.2. Ceiling installation

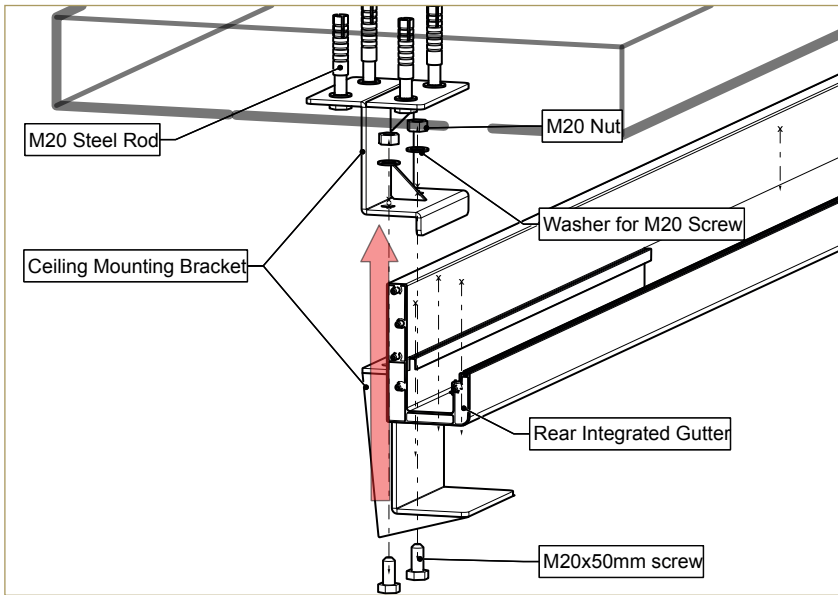
Define to ceiling mounting bracket position on the ceiling and make a hole with  $\text{Ø}16\text{mm}$  drill.



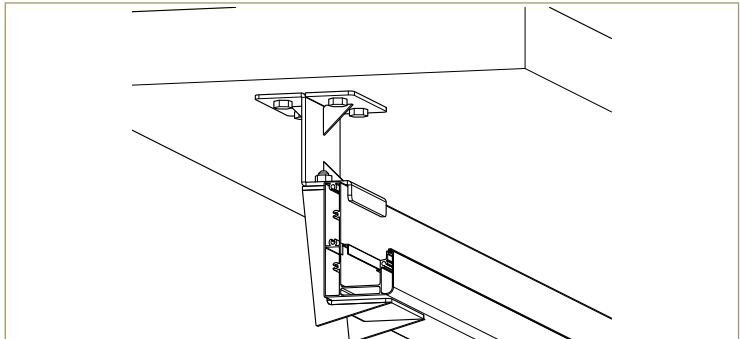


Fasten of the M20 steel rod to the ceiling and tighten of rods;

Place the Integrated gutter to the ceiling mounting bracket.



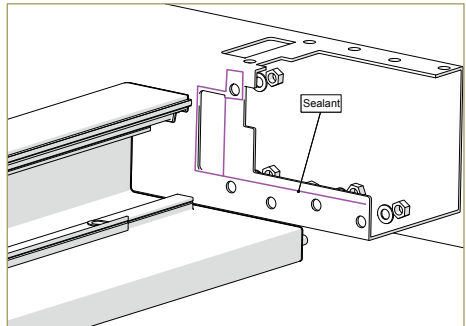
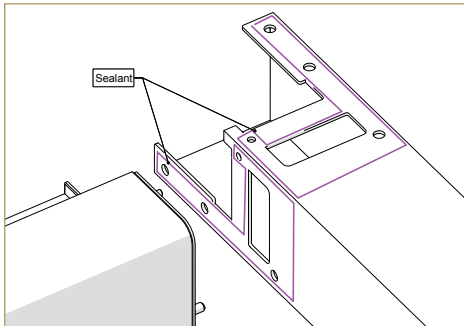
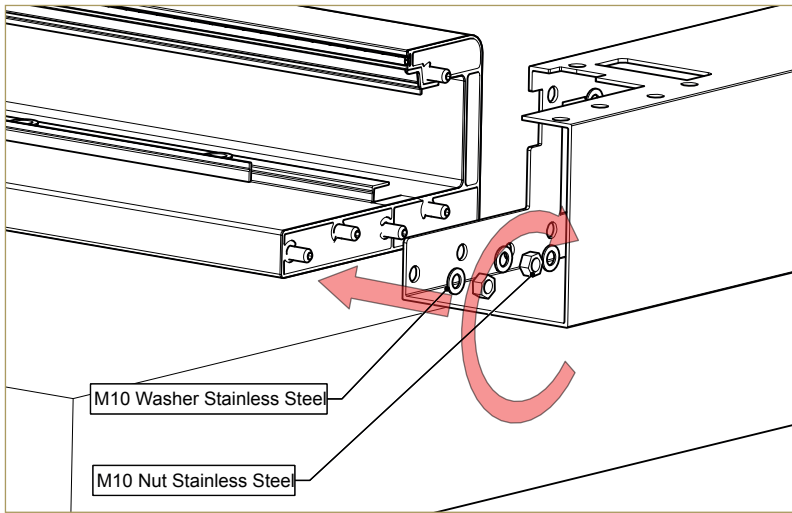
The final view;



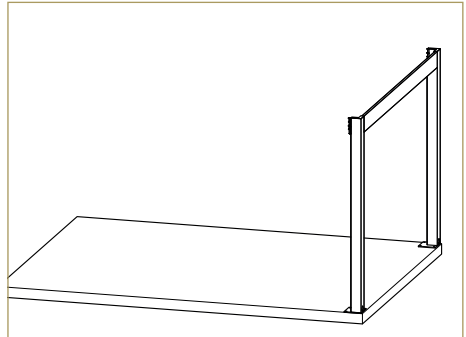
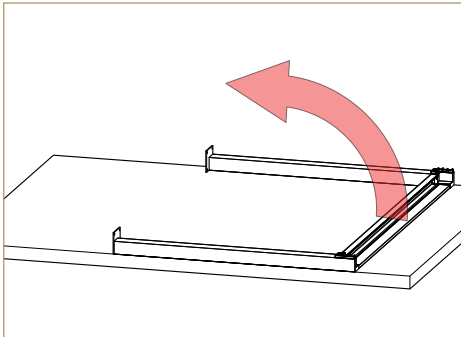


### 4.1.3. Free Standing (Pillar and Integrated gutter connection)

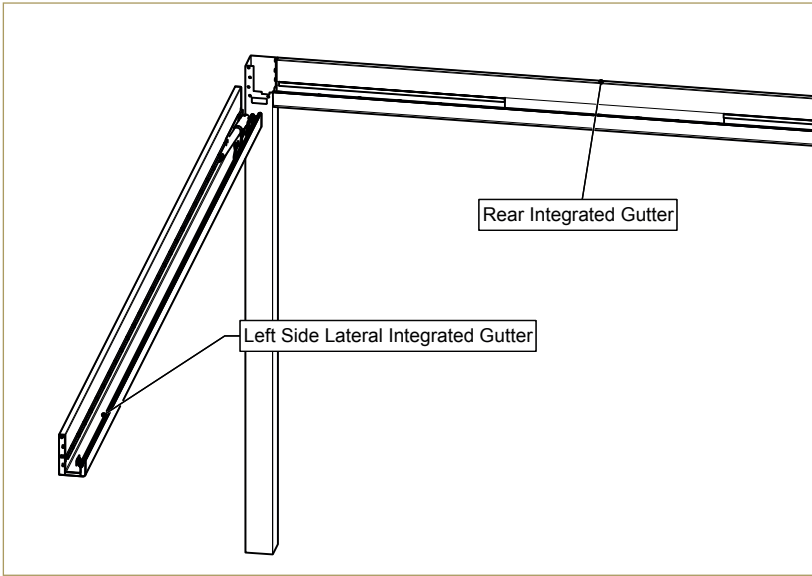
Fix Aluminium Pillar on both side and Rear Integrated Gutter on ground with M10 Sealed Nut as you see in below figure.



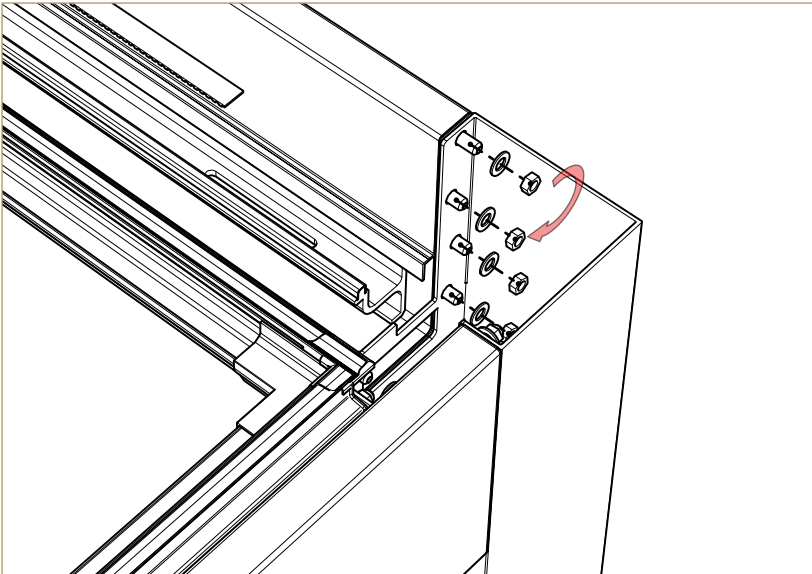
Lift up a rear frame.  
Don't work alone. You may need someone else.



Important: All screwing should be discarded after product size control.  
Rear Integrated Gutter and Lateral Integrated Gutter position shown at below figure.

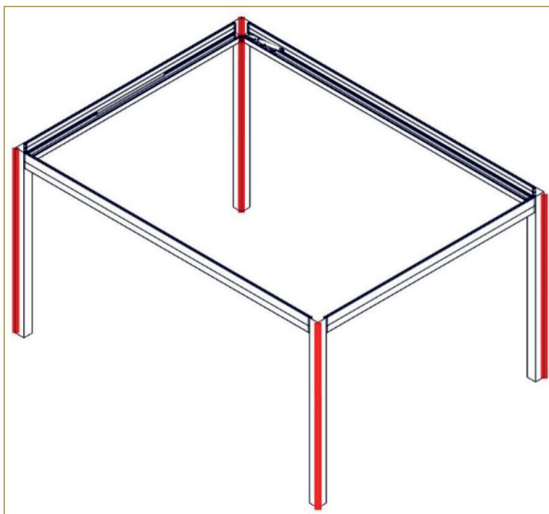
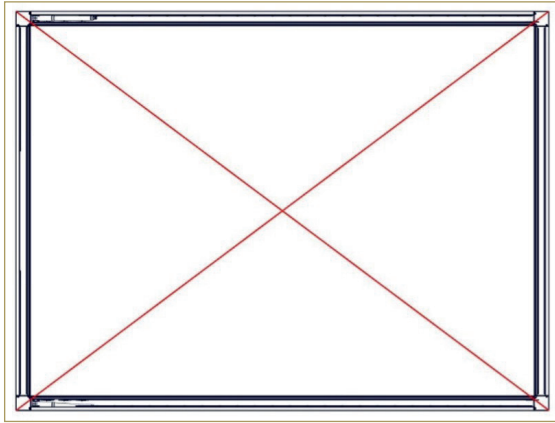


The fixing Lateral side integrated gutter to rear integrated gutter with M10 Sealed





#### 4.1.4. Cross Check and Level Control

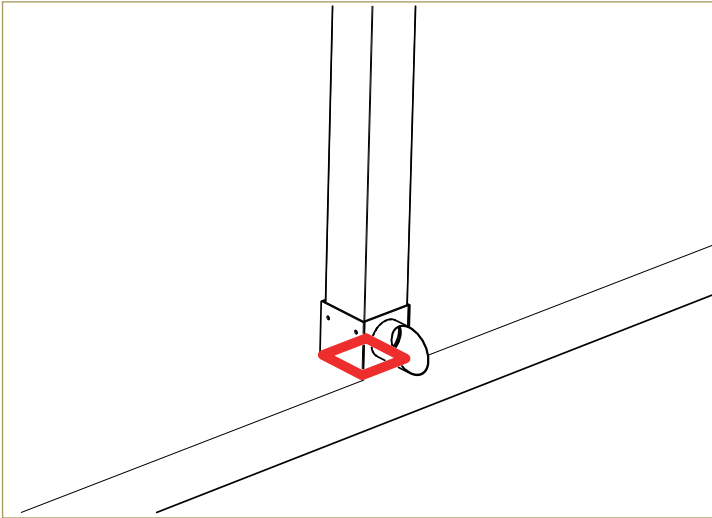




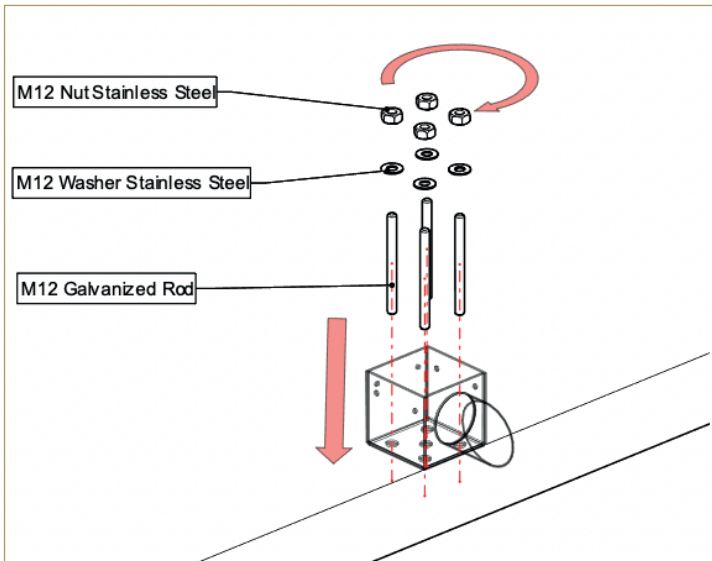
#### 4.1.5. Pillar Fixing

##### 4.1.5.1. Stainless Steel Anchorage

First of all, define to exact pillar position and mark it.

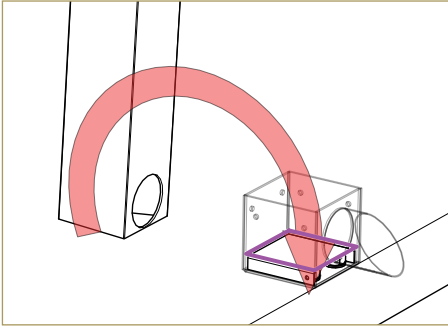


Slide the pillar then place the stainless steel anchorage to marked location. For flange installation please refer to freestanding model.

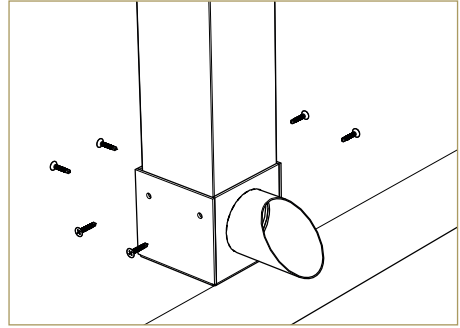




Place the cap. Apply a sealant then place the pillar into the anchorage.

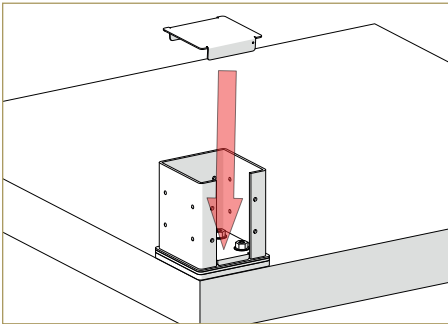


At the end, fix by M4,8x25mm self-tapping screw.

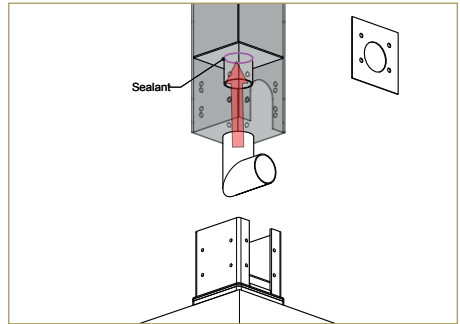


#### 4.1.5.2. Hidden Anchorage

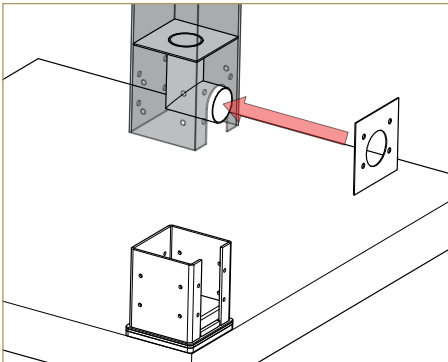
Firstly, fix the hidden anchorage to the ground with 4 M12 and chemical dowels. Then, put the washers and nuts on the rods from inside and tighten them. Put the inner cover and apply sealant to the sides.



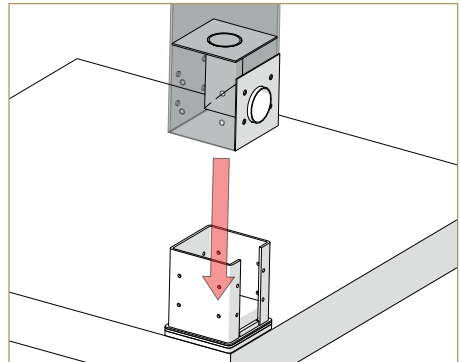
Place the elbow and apply sealant.



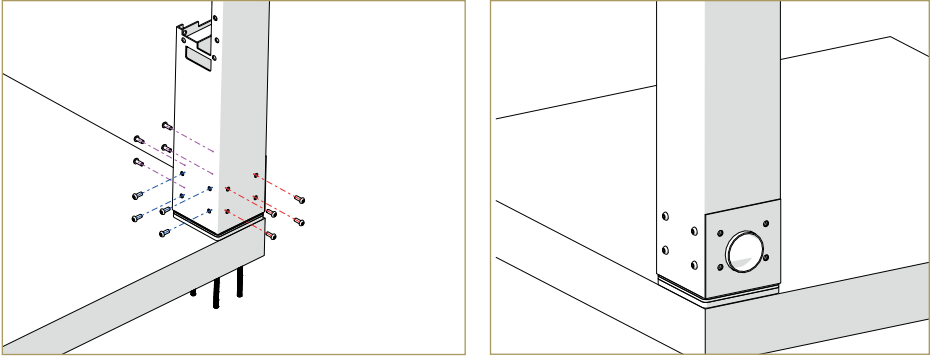
Place the front cover and fix it with 4 M8x25 mm round head bolts.



Place the pillar on the anchorage.

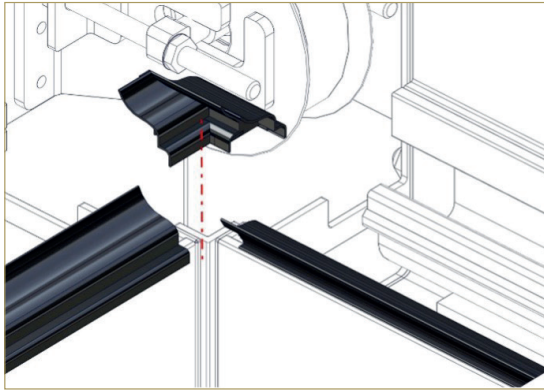


Fix with 4 M8x25 mm round head bolts from 3 sides.

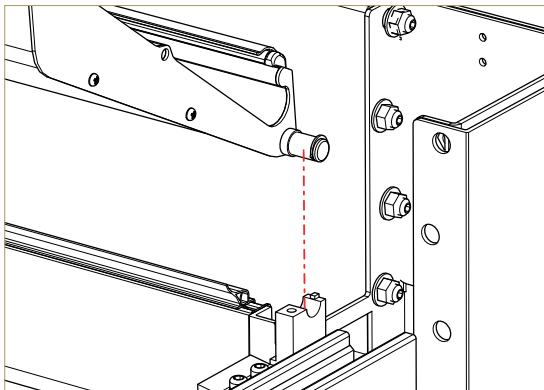


#### 4.2. Panel Installation

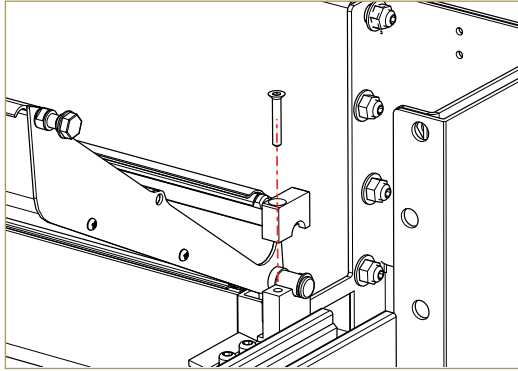
Place a special designed gasket to corners.



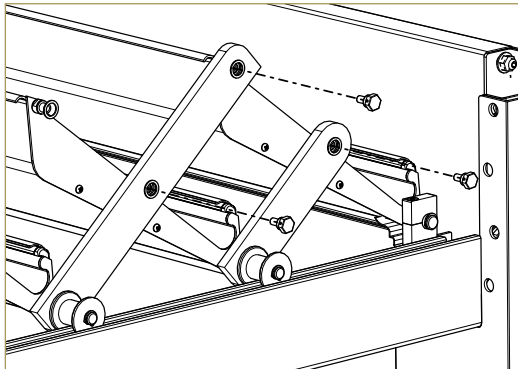
While placing the panels start from rear. The rear panel has a short pin.



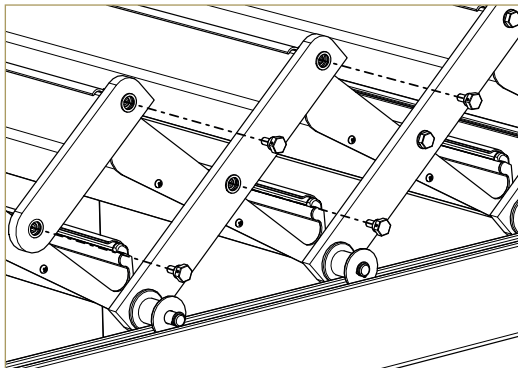
There should be short pin house plate. Firstly, you should fix to rear panel short pin house. Then, place the short pin to house and fix its clamp by M5 countersunk head bolt.



Then, place the middle panels to the rail located on gutter profile one by one and fix with M10 special bolt.



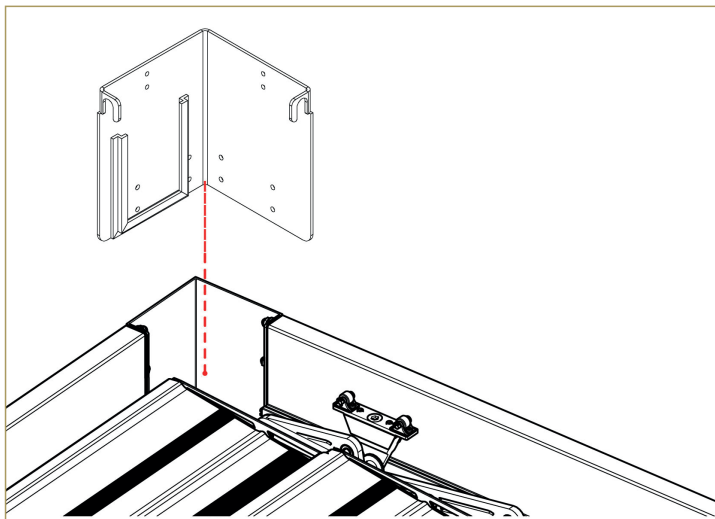
Finally, first panel with carriers shall place.



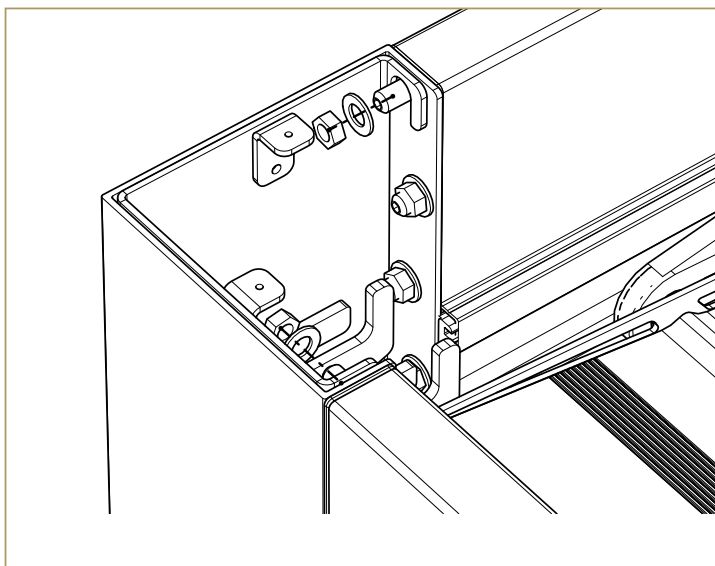


### 4.3. Motor House Placing

There should be a gear house in correct side. The houses have to be aligned with projection direction.

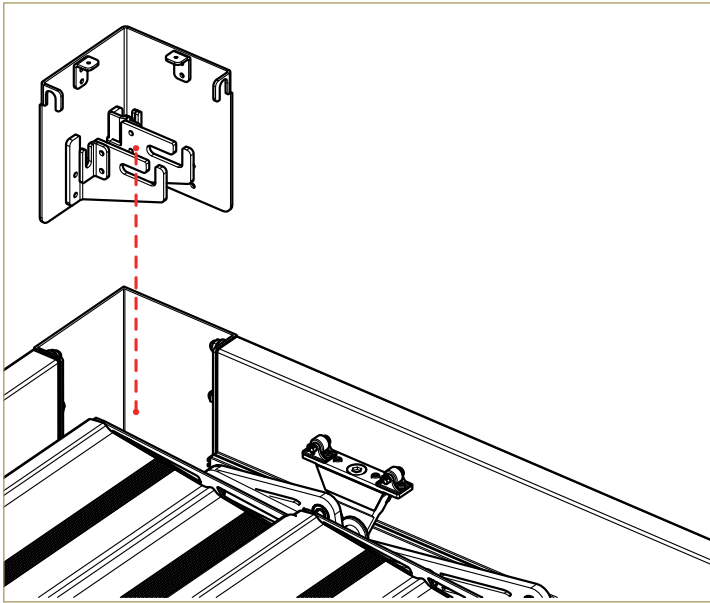


The bracket's nail has to be fitted as an exact. After that place the washer and fasten the nuts.

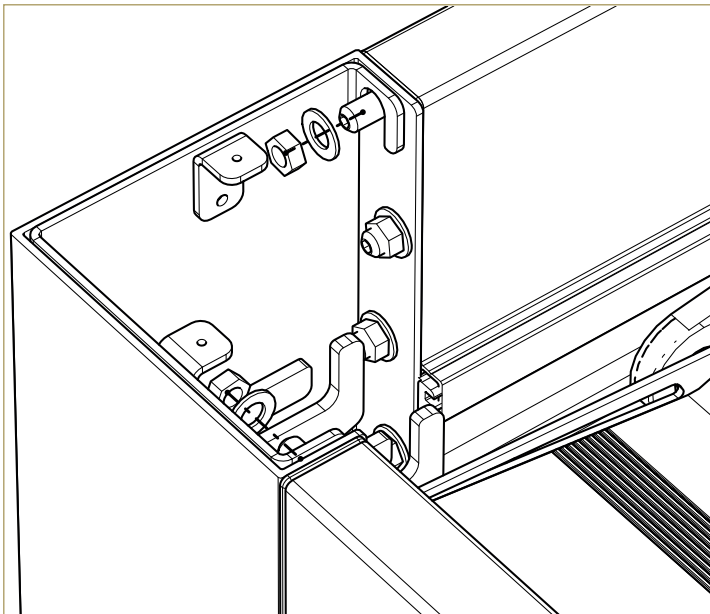


#### 4.4. Front Mechanism House Placing

There should be a bracket in correct side.

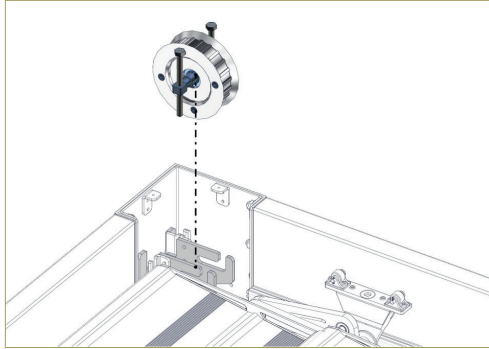


The bracket's nail has to be fitted as an exact. After that place the washer and fasten the nuts.



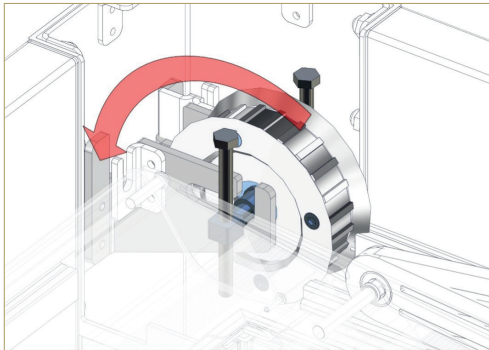
#### 4.5. Front Gear Placing

Place a front gear to front mechanism house.

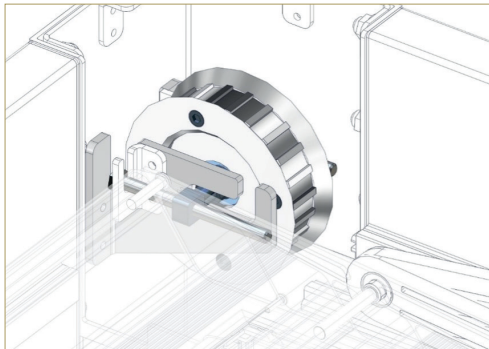


Turn and place the stretching bolts.

Important: Before the Front Gear is inserted, the belt must be passed between the housing and the front gear.

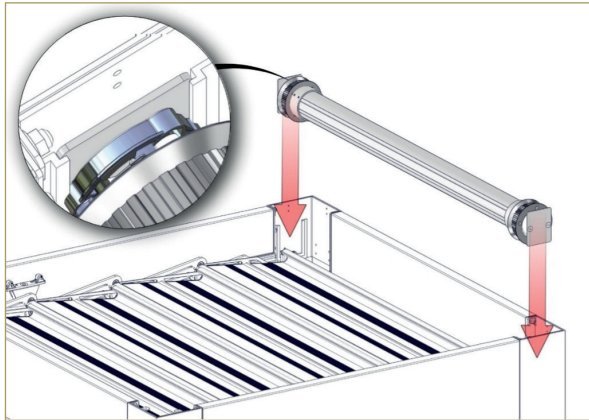


The stretching bolts must be place related area.



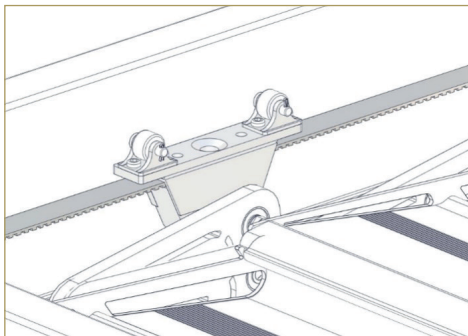
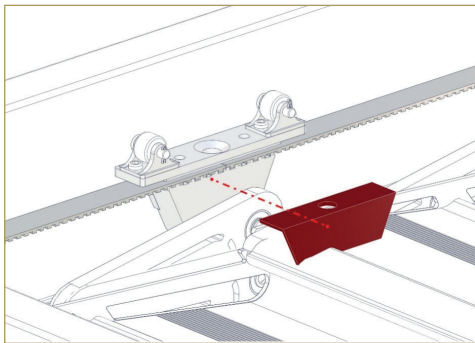
#### 4.6. Place the Motor Tube set

The motor tube set has to be on rear. It has a square plate and it must be fit on the rear mechanism house as you see at below.

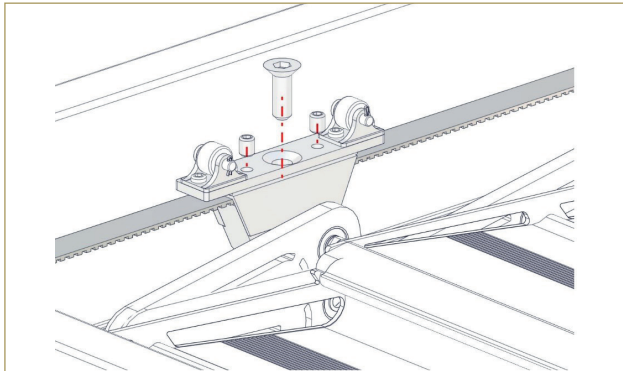
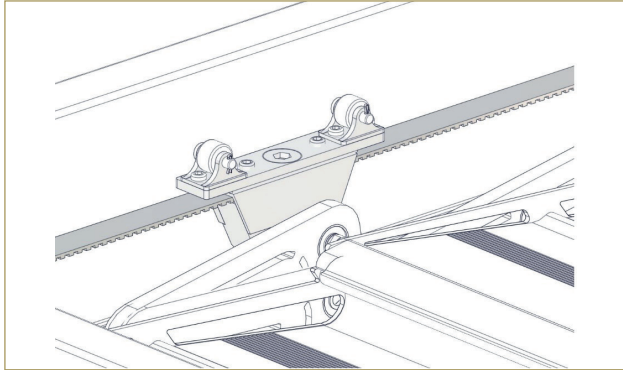


#### 4.7. Belt installation:

The belt is prepared an exact size. The belt should cover the front and back gear. The connection point should be on center of the locomotive carrier.

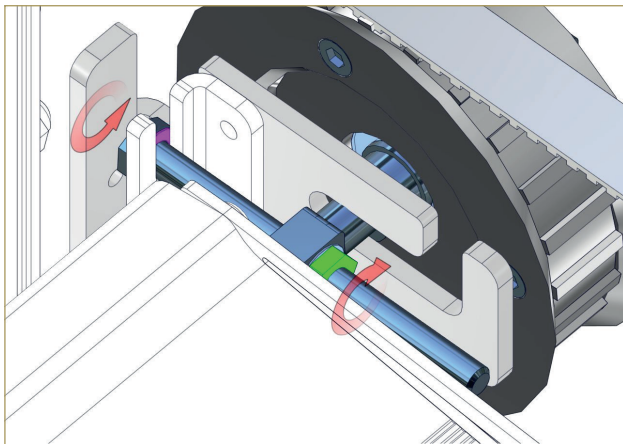


Fasten the brackets by stay bolt and countersunk head bolt.



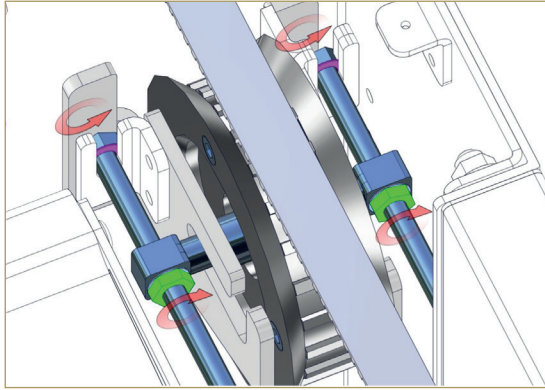
Belt stretching;

That bolts ensures a stretch to the belt.

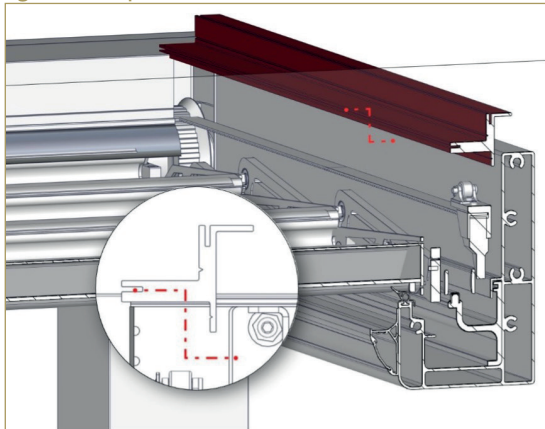




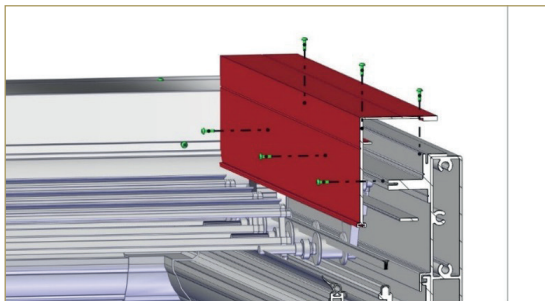
To be sure same stretch level of the bolt on both sides.



#### 4.8. Side covering bottom profile installation



If there is a perimeter lighting, the lighting control box should be placed on the profile as you see at below. The cables should go from the corner.

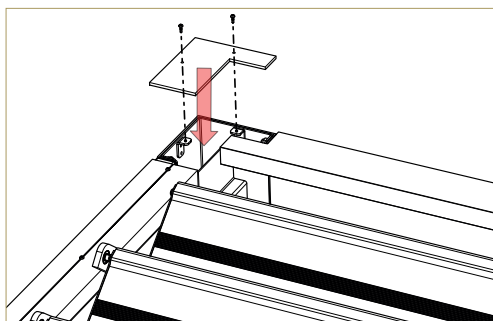




#### 4.9. Corner cap placing

The corner cap should be on front. Fix by M2,9x13mm rounded head screw to prepared plate.

To place corner cap, you should move panels back. Refer to motor programming.



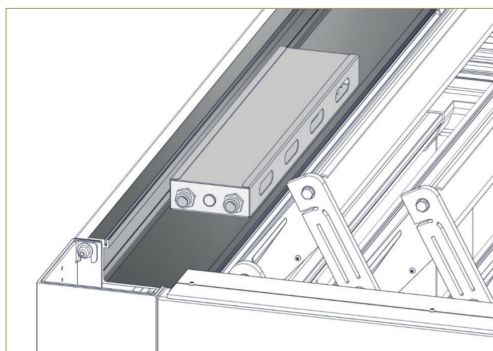
#### 4.10. Motor tube covering profile placing

That profile should be on rear and fix by M2,9x13mm screw.



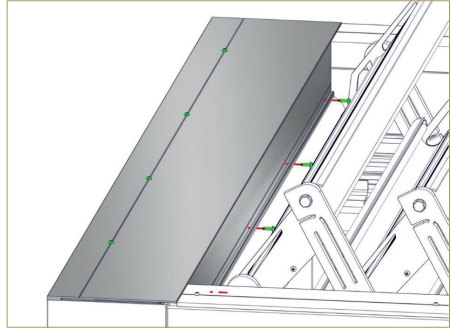
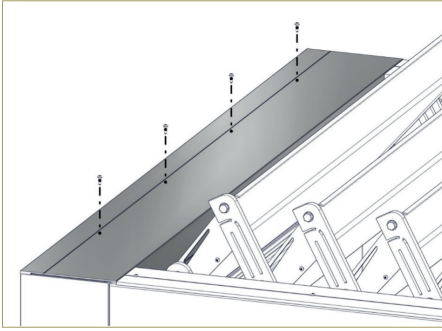
#### 4.11. Lighting box placing

If there is a perimeter lighting, the lighting control box should be placed on the profile as you see at below. The cables should go from the corner.



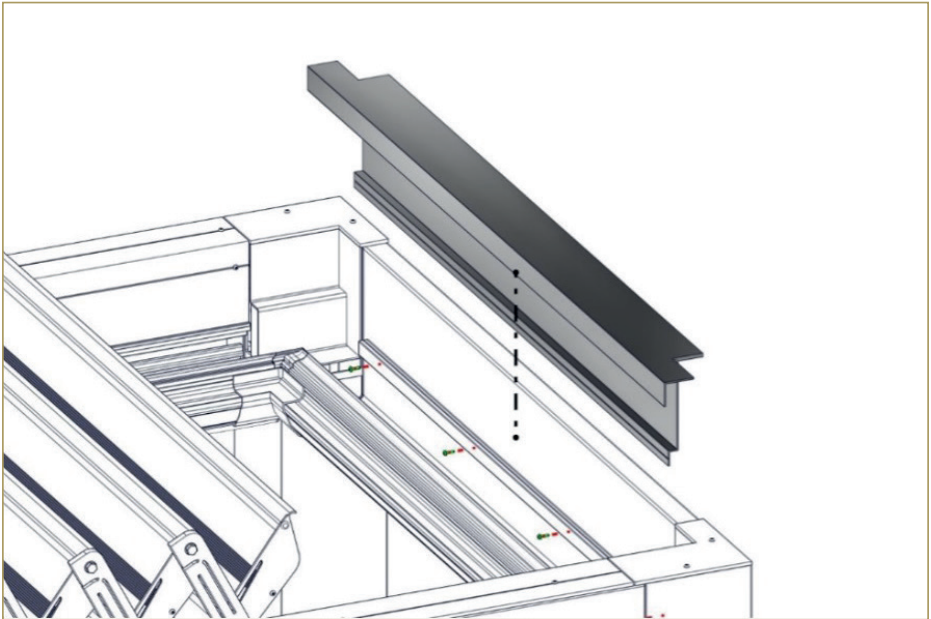
#### 4.12. Motor tube rear covering profile installation

If there is a perimeter lighting, the lighting control box should be placed on the profile as you see at below. The cables should go from the corner.



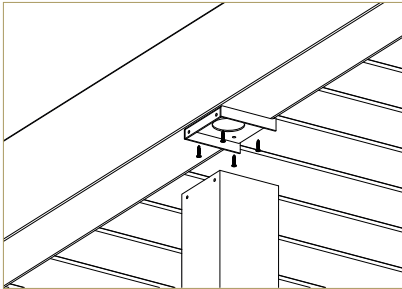
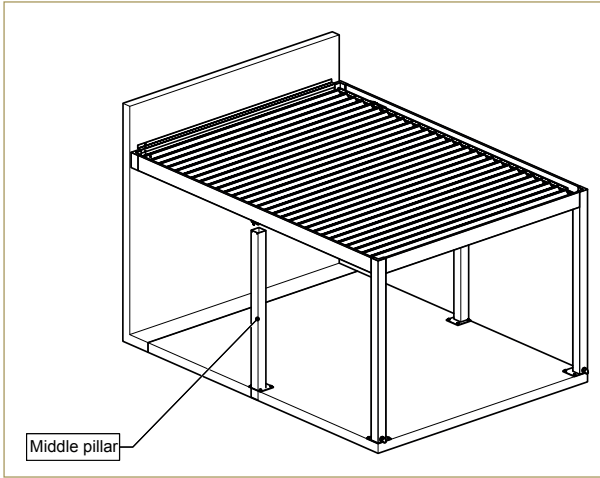
#### 4.13. Front covering profile installation

To place corner cap, you should move panels back. Refer to motor programming.



#### 4.14. Front covering profile installation

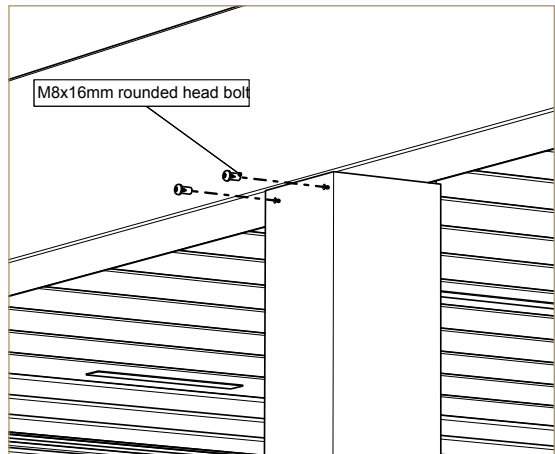
If your projection bigger than 579,9cm (19') or you want to add a middle pillar to the structure, it will be able to connect with U bracket as you see in below picture.



#### 4.15. Middle Pillar Connection

If your projection bigger than 587.8cm (19' - 3") or you wanted joint a middle pillar to structure it is able to connect with U bracket as you see below picture.

When you fix a U bracket to the integrated gutter, middle pillar can be added to the bottom of the U bracket as you see below picture.

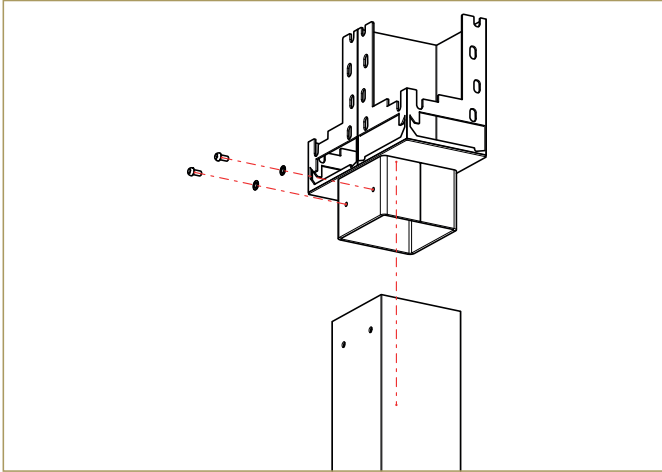


#### 4.16. 2 Module or 4 module connection

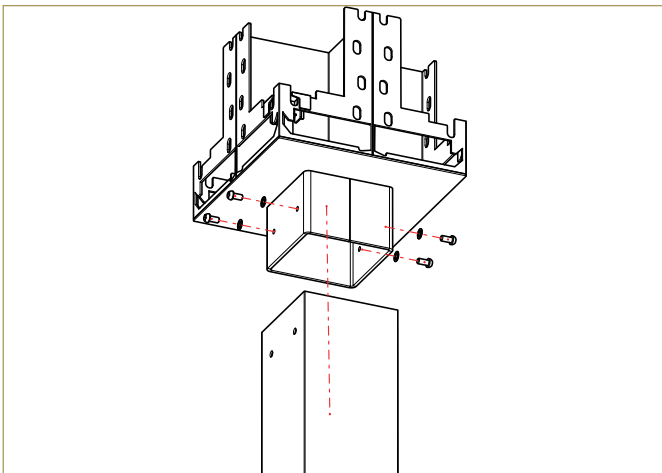
If there is a 2 module or 4 module, these modules are not welded to the pillar. That brackets and pillars will be sent separately.



##### 4.16.1. 2 Module and pillar connection



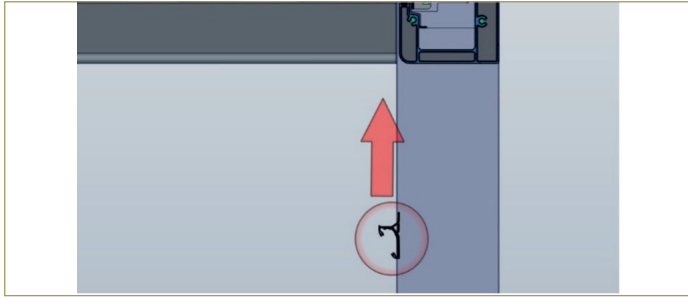
##### 4.16.2. 4 Module and Pillar connection



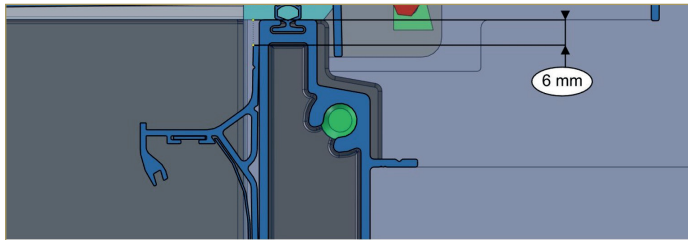


#### 4.17. Perimeter Lighting Installation

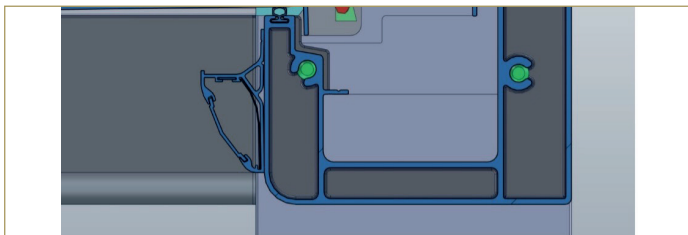
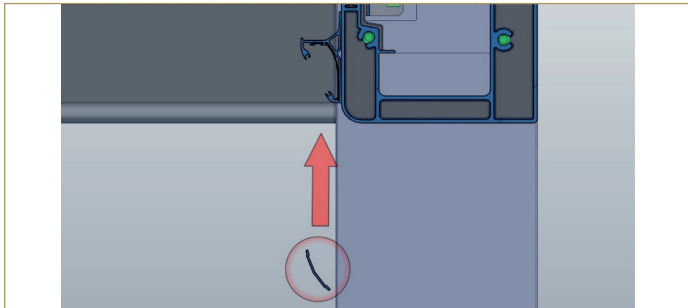
Place perimeter lighting profile to the integrated gutter.



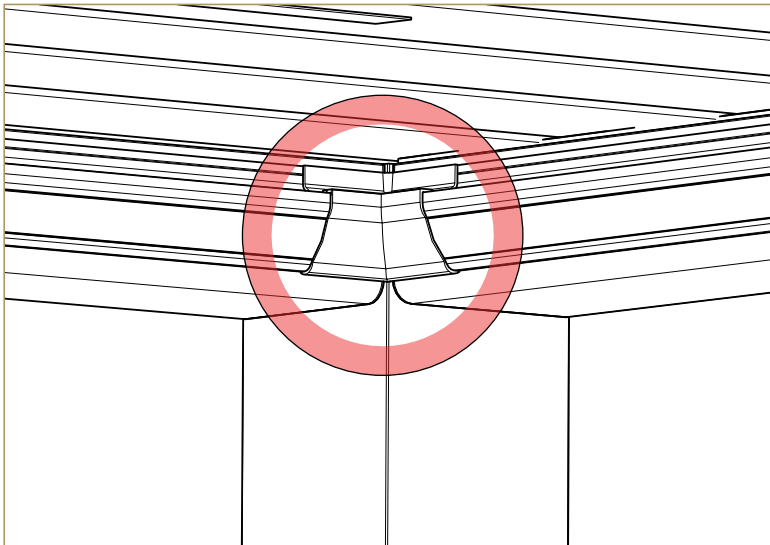
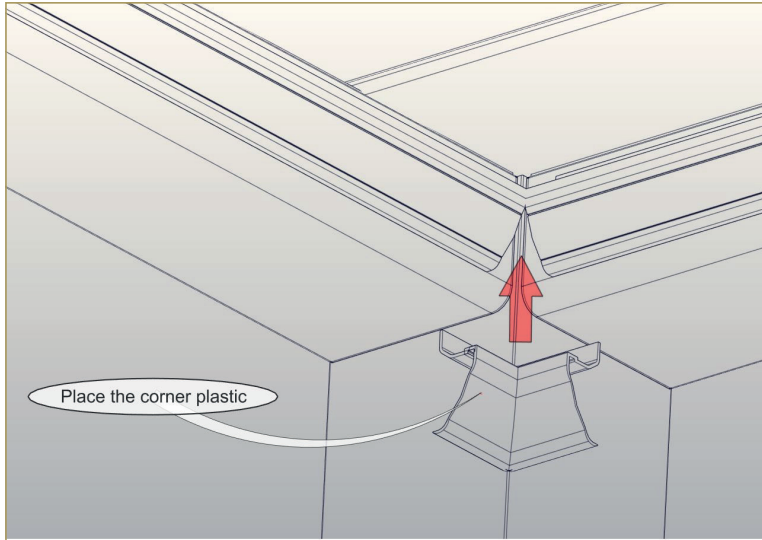
Place perimeter lighting profile to the integrated gutter.



Place perimeter lighting profile Cap to related house on perimeter lighting profile.



Place corner plastic between perimeter lighting profile on the corner side.



## 5. PROGRAMMING / RESETTING OF MOTOR AND LIGHTS

### 5.1. Attention

The installation and initial setup procedures are the responsibility of a specialized technician.

#### Power Supply (120VAC/60Hz or 230VAC/50Hz).

All wiring must conform to NEC (National Electrical Code) and local codes.

The Control Unit Boxes can be wired in PARALLEL.

A means of disconnecting the power at each motor independently should be provided.

Power only needs to be supplied to the Motor directly.

PALMIYE Reserves the right to void the motor warranty if wiring recommendations are not followed.

The Motor works (120VAC/60Hz or 230VAC/50Hz).

#### Installation Requirements

If the installation is made up of several RTS system, only one RTS system must be powered during programming. All other RTS systems must be disconnected. This will avoid interferences during the initial programming of each motor.

Use only SOMFY RTS radio controls. The receiver (433,42 MHz) must be programmed with transmitters.

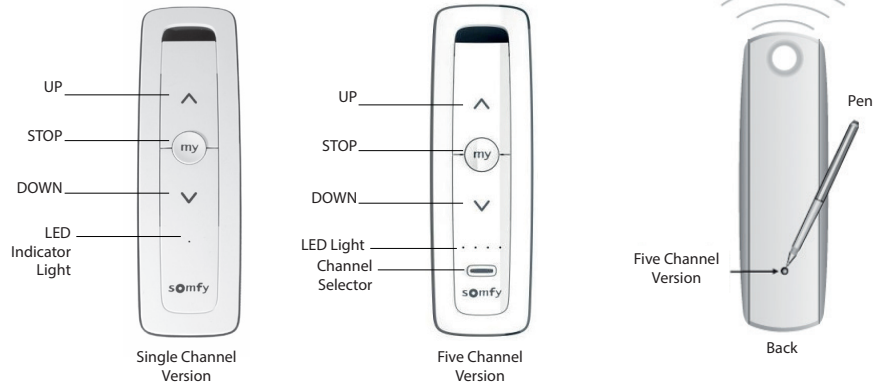
### 5.2. Remote Control Button Configurations

Skyroof Prestige is integrated with linear tube motor with radio control for opening, closing or stopping the fabric support profiles use the respective buttons (see figure).

There are 4 different remote-control models.

Pure, Patio, Lounge, Modulis;

- Situo 1 RTS (has only one channel. It means it can control 1 RTS motor).
- Situo 5 RTS (has 5 channels. It means it can control 5 different RTS motor).
- Telis 16 (has 16 channels. It means it can control 16 different RTS motor).





### 5.3. Remote Types

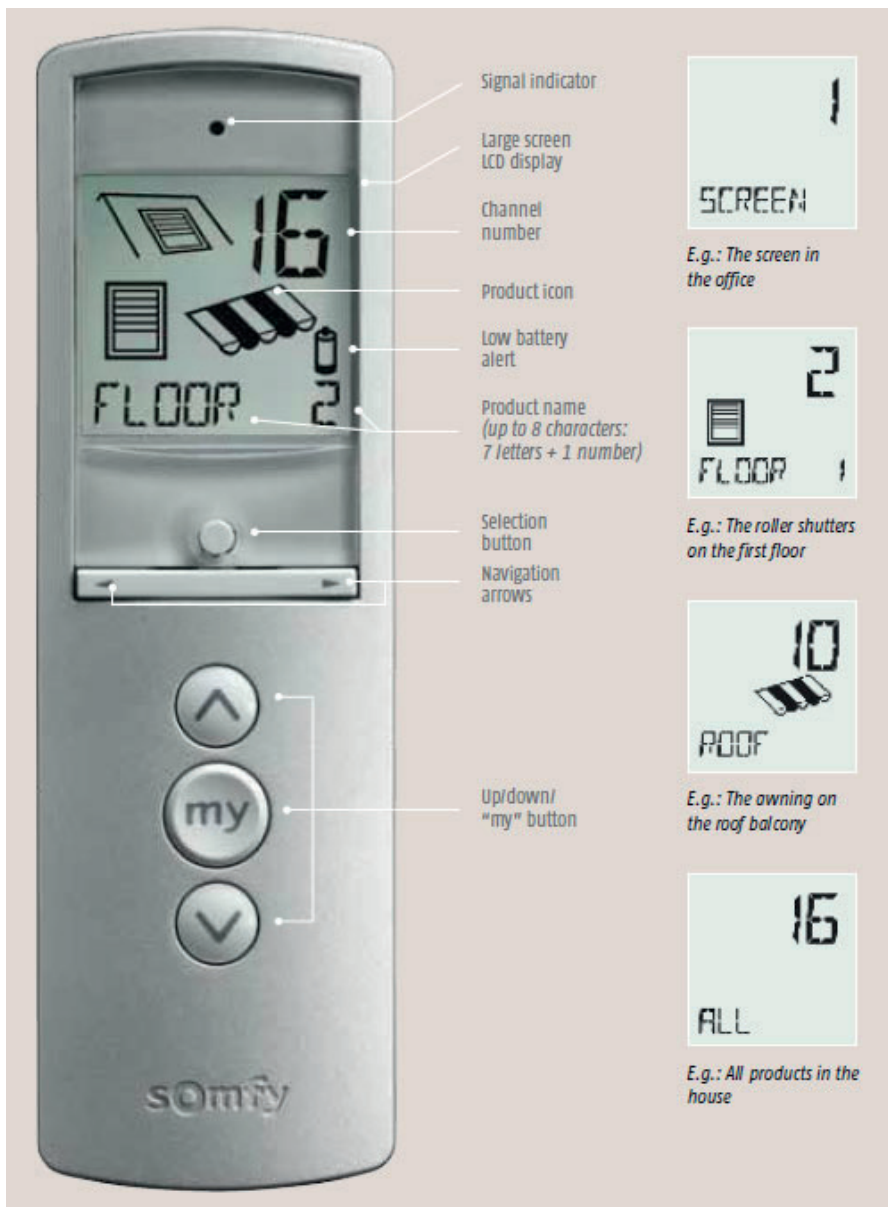


**Situo 1 RTS**

**Situo 5 RTS**

**TELIS 16**

<b>Channels</b>	1	5	16
<b>Battery Type</b>	2430 Lithium		LR03AAA
<b>Battery Voltage</b>	3V		1,5 V
<b>Thickness</b>	22		18
<b>Width</b>	49		47
<b>Height</b>	145		151
<b>Colour</b>	Silver		Silver & Pure
<b>Compatibility</b>	Compatible with a range of Somfy RTS enabled products		
<b>Radio Frequency</b>	For indoor use		
<b>Radio Range</b>	433,42 MHz		
<b>Protection Index</b>	200m in open field or 20m through 2 reinforced concrete walls		
<b>Working temperature</b>	IP30		
<b>Information</b>	0C to + 60C		
<b>Installation</b>	Wall brackets supplied		



## 5.4. Replacing The Battery



Using a small screwdriver loosen the screws on the reverse side of the remote control and remove the back cover.

Replace the battery with one 2430 Lithium 3V Battery.

## 5.5. Programming

### 5.5.1. Panels

**Step 1:** It has to be connected directly to electric power unit (120VAC/60Hz or 230VAC/50Hz). Notice the motor will not respond to any transmitter until a transmitter is assigned to communicate with the motor.

**Step 2:** Choose the channel on your transmitter that you want to set for the motor.

**Step 3:** Press up and down button together until the motor will jog briefly for one time.

**Step 4:** Check the direction. Up button ensures the collect to panels.

**Step 5:** Reach the back-limit position where panel side caps is mustn't touch each other (has to be gap at least 2cm /1") and push MY button. Motor will stop.

**Step 6:** In order to set back limit, press DOWN and MY button constantly. The panels will go to front. When the panels reach to middle of the projection press MY button.

- **Back limit position defined.**

**Step 7:** Reach the front limit position where panels close completely and push MY button. Motor will stop.

**Step 8:** In order to set front limit, press UP and MY button constantly. The panels will go to back. When the panels reach to middle of the projection press MY button.

- **Front limit position defined.**

**Step 9:** Press again to MY button.

**Step 10:** Press PROG button on your transmitter.

### 5.5.1.1. Programming of Lights (Perimeter Lights)

**Step 1:** Give energy to control box

**Step 2:** Give energy for at least 4 second and you will hear a click from control box

**Step 1:** Power off and power on 5 times max. within 5 sec.

**Step 2:** Leave while power ON. The LED lights will blink within 10 sec.

**Step 3:** Select a channel from your remote control you desired.

**Step 4:** Press “PROG” button on remote control at least 2 sec.

- **The lights have stored to desired channel on your transmitter.**

## 5.6. Resetting

### 5.6.1. Motor

Step 1: While provided power to ALTUS motor unplug for 2 seconds

Step 2: Plug in 10 seconds

Step 3: Unplug 2 seconds

Step 4: Plug in 10 seconds, the ALTUS motor will jog briefly

Step 5: Press and hold the PROG button on the back of Remote Control for more than 7 seconds until the ALTUS motor jog briefly 2 times. This removes ALL memorized motor transmitters.

- **The motor has deleted on your transmitter.**

### 5.6.2. LED Light Control Panel

#### 5.6.2.1. RGB LED Resetting

Step 1: Give energy to control box and wait until red light is on at control box.

Step 1: Power OFF and power ON 10 times max. within 10 sec.

Step 2: Leave while power ON

**\* The LED lights will blink within 10 sec. Thus, the lighting control box will be reset.**

- **The RGB lights have deleted on your transmitter.**

#### 5.6.2.2. Standard LED Resetting

Step 1: Give energy to control box and wait until red light is on at control box.

Step 1: Power OFF and power ON 10 times max. within 10 sec.

Step 2: Leave while power ON

**\* The LED lights will blink within 10 sec. Thus, the lighting control box will be reset.**

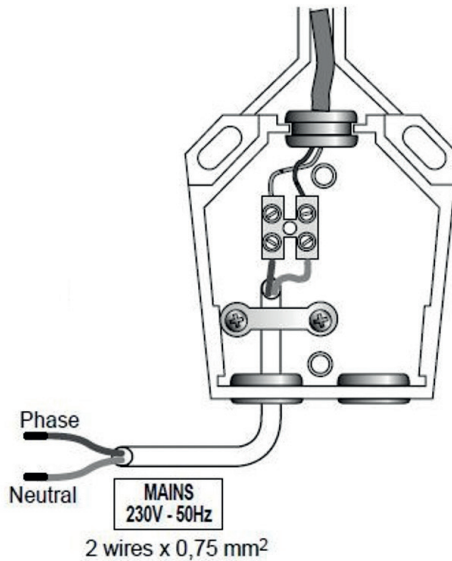
**The lights have deleted on your transmitter.**

## 6. SENSORS & AUTOMATION

### 6.1. Sensors

#### 6.1.1. Connection to EOLIS RTS (Wind Sensor)

##### 6.1.1.1. Cabling



##### 6.1.1.2. Programming

The motor must be in its learning mode to record an EOLIS RTS Sensor.

Up to three EOLIS RTS Sensors can be memorized in a motor and one EOLIS RTS Sensor can be memorized in several motors.

- Enter the “learning” mode;
  - Press more than 2 seconds on the programming button of a RTS control which is already memorized in the motor.
  - Press briefly on the “prog” button of the EOLIS RTS Sensor.
  - The awning moves shortly (DOWN/UP).
- Record or delete a sensor;
  - Press briefly on the “prog” button of the EOLIS sensor RTS.
  - The awning moves shortly (DOWN/UP).
- Erase all the sensors and record a new one;
  - Press more than 7 sec. on the “prog” button of the new EOLIS RTS sensor.
- The awning moves shortly (DOWN/UP)

### 6.1.1.3. Functioning

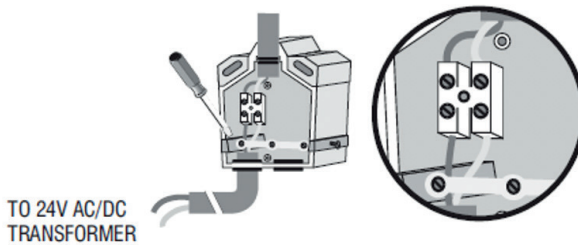
The WIND threshold can be adjusted by a potentiometer accommodate wind speed between 10 to 50km/h (6 to 31mph)

- When the wind speed exceeds the threshold set by the EOLIS sensor RTS, an UP order is given to the pergola after 2 sec.
- As long as the measured wind speed is higher than the adjusted threshold, any order is inhibited.
- When the wind speed falls below the threshold setting, an order can be given with the RTS control after 30 sec.

### 6.1.2. Connection to SOLIRIS RTS (Sun and Wind Sensor)

Motor connection to SOLIRIS RTS (Sun&wind Sensor);

#### 6.1.2.2. Cabling



#### 6.1.2.2. Programming

- The motor must be in programming mode to record a SOLIRIS RTS Sensor
- One SOLIRIS RTS Sensor can be memorized into several motors.
- It isn't recommended to memorize more than 1 SOLIRIS RTS Sensor into motor's memory.
- To Enter the Programming mode;
  - Activate the receiver's memory by pushing (for more than 2 seconds) the programming button of a transmitter already recorded in the motor's memory.
- To Record or delete a sensor ;
  - Press briefly on the programming button of the SOLIRIS RTS briefly sensor.
- To delete all the sensors and record a new one;
  - Press for more than 7 sec. on the "programming" button of the new SOLIRIS RTS.

#### 6.1.2.3 Operation

- The SOLIRIS RTS Sensor controls and provides a measure of protection for a retractable pergola according to the sun and wind conditions. The WIND and SUN thresholds can be

- adjusted by two potentiometers, one for wind speed and the other for daylight intensity.
- The adjustment range is between 9 – 50 km/h (6 – 31 mph) for the WIND and between 0 to 50 kilolux for the SUN
- By using the SOLIRIS RTS Sensor it is possible to configure the functioning of the receiver (wind only or wind/sun). Please refer TELIS SOLIRIS RTS to the operating instructions.
- A short UP/DOWN movement of the retractable pergola indicates the modification of the sensor settings.

### 6.1.2.3. Connection to SUNIS (Sun) sensor

- IMPORTANT REMARKS BEFORE INSTALLATION**

- Expose the sensor 20min. to the daylight to initialize its autonomous system (put the cells under the maximum daylight intensity).
- To verify charging level of sensor, press briefly the Mode button: if LED lights=ready for use.

- FEATURES**

- Up to 3 sensors can be memorized in one motor, it could be combined with other RTS sensors (EOLIS RTS, SOLIRIS RTS)
- One Sunis sensor RTS can be memorized in several motors
- Supply: "SOLAR"
- Autonomy: 24 hours without new daylight intensity.

- PROGRAMMATION**

- To proceed to programming, sensor must be charged (refer to important remarks before installation step).
- Enter the "Programming" Mode.
- By pressing > 2 sec. PROG. button of Remote Control (for single motor) or Centralis (for tandem system) until motor feedback.
- Record a sensor.
- By pressing briefly PROG. Button of sensor until motor feedback.

## SETTING INSTRUCTIONS

LED reaction in "DEMO" mode or "USER" mode.

THRESHOLD	USER MODE	DEMO MODE
Under sun level: RED LED	Continues light during 5 sec.	Blinking light during 30 sec.
Over sun level: GREEN LED	Continues light during 5 sec.	Blinking light during 30 sec.

- Enter the "DEMO" mode
- By pressing MODE button > 2 sec. > the light will start blinking for

- 30 sec. + feedback motor.
  - Adjust the sun threshold with the potentiometer
  - The blinking led will be green once you have reached the current sun level.
  - The level you set will be the one to set off the sun function
  - Verify the functioning
  - Let the demo mode works (if no sun, use a lamp)
  - Enter the "USER" mode
  - By pressing MODE button > 2 sec. > feedback motor
  - DEMO mode will move back automatically after 3 min. in USER mode
- **MOUNTING INSTRUCTIONS**
  - Make sure to install sensor vertically and in place where solar cells can catch daylight intensity.
  - Sensor delivered without screws, use the screw adapted to your wall support.

**SUN FUNCTIONNING**

Use the Telis with sun function to activate or deactivate the sun function (Telis Soliris RTS, Telis Modulis Soliris RTS.)

Manual Mode: Sun function deactivated

Automatic mode: Sun function activated.

- **Sun appearing**

When the intensity of the daylight exceeds the threshold set by the Sunis sensor RTS, a Down order is sent to the blind after 2 mins. The blind goes to the MY position or to its down end limit position if no My position has been memorized.

- **Sun disappearing**

When the daylight level fails below the threshold setting, a variable time delay from 12-30 mins. is activated (depending on the sun presence duration). After this time delay, an UP order is given to the blind.

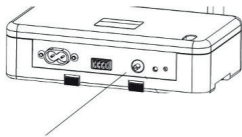
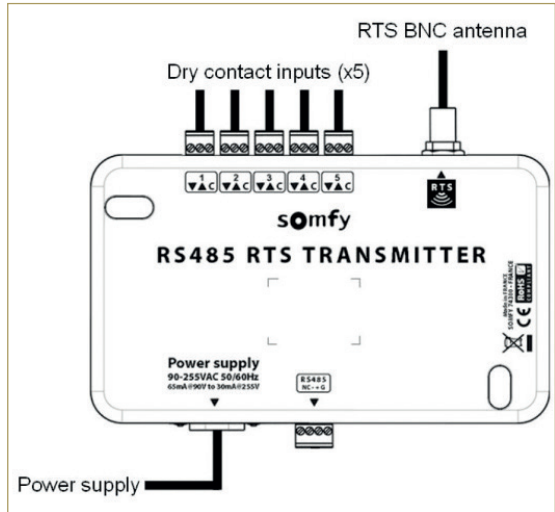
**READJUSTING**

ADJUST THE SUN LEVEL WITH THE POTENTIOMETER ACCORDING TO YOUR WISHES	
1 turn to left (-)	2 Turn to right (+)
LESS sun is needed to lower the blind	MORE sun is needed to lower the blind



#### 6.1.2.4. Connection to ONDEIS (Rain) sensor

- Rain sensor requires a dry contact input. Our single motors (ALTUS) works with RTS
- In order to use ONDEIS rain sensor you must use Dry Contact Transmitter
- The RTS motors can communicate with dry contact transmitter or RS485 (multiple dry contact transmitter. Up to 5 channels.) Then dry contact transmitter communicates with ONDEIS Rain sensor and also RTS motors.
- The ONDEIS Rain sensor has a two-cable output. One cable must go to main voltage (230V/50Hz) and other is to dry contact signal cable.
- You must joint rain sensor dry contact cable to RS485's channel input jacks (from 1 to 5)
- In this case there is only one solution, if your products have more than 2 rails you can upgrade to tandem motor system. Otherwise, there is no solution.



When you plug all cables now you can program to rain sensor. Select the RTS address on the channel selector corresponding to dry contact connectors.



- Press to PROG button on your remote control
- Then press PROG button on RS485 or Dry Contact Transmitter.



## 6.2. Automation

### 6.2.1. Adaptable to Somfy systems

Our Retractable Pergola System can control by Somfy Home Automation Smart System which is CONNEXOON® Window RTS

You can download from below link:

#### For IOS system:

<https://apps.apple.com/tr/app/connexoon-window-rts/id1168009218?l=tr>

#### For ANDROID system:

[https://play.google.com/store/apps/details?id=com.somfy.connexoon\\_window&gl=TR](https://play.google.com/store/apps/details?id=com.somfy.connexoon_window&gl=TR)

- The retractable pergola system motors can control by CONNEXOON® Window RTS application on smart phone.
- CONNEXOON® Window RTS device has to connect to the Ethernet modem connection.
- Download it,
- Create an account,
- Log in to the system,
- Enter the pin code which is below of the Connexoon transmitter,
- Read and Skip information tabs,
- Click 3 line on left top,
- Click configuration,
- Click (+) add button,
- Select your product,
- Program to your product,
- Give a name to your product,
- Now, you can control by your smart phone.

### 6.2.2. Adaptable To Other Automation Systems

In order to connect to different automation home smart system, there is RS485 RTS Transmitter or Dry Contact Transmitter.

- Only RTS motors can control by RS485 RTS Transmitter or Dry Contact Transmitter
- RS485 have a 5 dry contact input and Dry Contact Transmitter have only one input.
  - Select the RTS address on the Channel selector corresponding to dry contact connectors.
- The dry contact connector n°1 has per default, the RTS address n°1
- The dry contact connector n°2 has per default, the RTS address n°2
- The dry contact connector n°3 has per default, the RTS address n°3
- The dry contact connector n°4 has per default, the RTS address n°4
- The dry contact connector n°5 has per default, the RTS address n°5
  - Press the programming button on the back of the RTS control point or the RTS receiver until the motor jogs.
- The product is in programming mode
  - Press the programming button on the RS485 RTS transmitter or Dry contact Transmitter until the motor jogs
- The product is assigned to the transmitter.
- It can up to 16 groups of Somfy RTS motors and receivers.
  - Press the programming button on the back of the RTS control point or the RTS receiver until the motor jogs
- The product is in programming mode.
  - Send by the RS485 control or Dry Contact Transmitter, the corresponding RTS frame on the desired channel.
- The product is assigned to the transmitter's channel with a motor jog.
- It is impossible to set a motor or receiver with this RS485 RTS transmitter or Dry Contact Transmitter.

## 7. TOOLS

Image	Product	Description	Product Code
	Palmiye T-Shirt	for Installation teams	HZM.ISG.G1009.BRUT
	Palmiye Trousers	for Installation teams	HZM.ISG.G1014.BRUT
	Palmiye Waistcoat	for Installation teams	HZM.ISG.G1013.BRUT
	Sealant   NP1 Dark Brown	to block the passage of water through the surface or joints or openings in materials	HRD.KMY.C0018.KAHV
	Sealant   NP1 Light Brown	to block the passage of water through the surface or joints or openings in materials	HRD.KMY.C0018.AKAH
	Sealant (Black)	to block the passage of water through the surface or joints or openings in materials	HRD.KMY.G0016.SYAH
	Sealant (White)	to block the passage of water through the surface or joints or openings in materials	HRD.KMY.G0017.BYAZ
	Sealant (Grey)	to block the passage of water through the surface or joints or openings in materials	HRD.KMY.G0022.GREY

Image	Product	Description	Product Code
	Epoxy	to anchor rods to concrete	HRD.KMY.G1027.BRUT
	M12 Rod	to fix and stabilize products to ground/wall/ceiling	HRD.CVT.G0100.ZINC
	M30 - Rod Galvanized	to fix and stabilize products to ground/wall/ceiling	HRD.CVT.G0105.ZINC
	M12 Rondela Washer - Stainless Steel	part to fix and stabilize products to ground/wall/ceiling	HRD.CVT.G1062.PSMZ
	M12 Washer Stainless Steel	part to fix and stabilize products to ground/wall/ceiling	HRD.PUL.G0003.PSMZ
	M30 Washer - Galvanized	part to fix and stabilize products to ground/wall/ceiling	HRD.PUwG0014.ZINC
	M12 Acorn Nut	part to fix and stabilize products to ground/wall/ceiling	HRD.SMN.G0008.ZINC
	M12 Nut Stainless Steel	part to fix and stabilize products to ground/wall/ceiling	HRD.SMN.G0011.PSMZ
	M30 Nut - Galvanized	part to fix and stabilize products to ground/wall/ceiling	HRD.SMN.G0022.ZINC

## INSTALLATION TOOL LIST

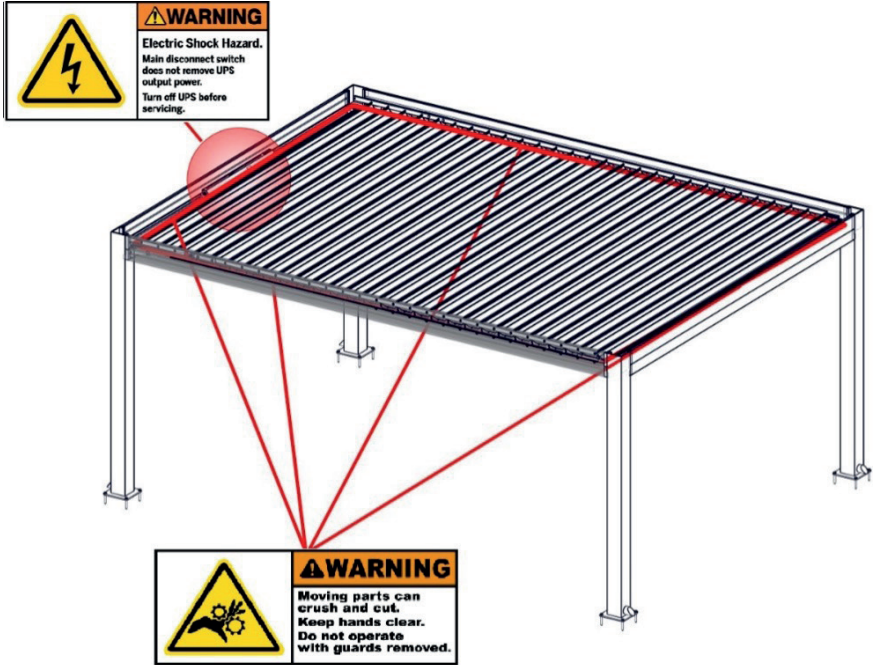
	<b>Tool box with wheel</b>	<b>1 pc</b>
	<b>Spiral grinder</b>	<b>1 pc</b>
	<b>Batery driller.</b>	<b>1 pc</b>
	<b>Electric impact drill</b>	<b>1 pc</b>
	<b>Lighting</b>	<b>2 pc</b>
	<b>Extansion lead</b>	<b>2 pc</b>
	<b>Ladder</b>	<b>2 pc</b>
	<b>Tape measure 5m</b>	<b>1 pc</b>
	<b>Tape measure 10m</b>	<b>1 pc</b>
	<b>Water gauge</b>	<b>2 pc</b>
	<b>Laser Meter</b>	<b>1 pc</b>
	<b>35 cm angle</b>	<b>1 pc</b>
	<b>Wrench Set</b>	<b>2 Set</b>
	<b>Flush Cutter</b>	<b>2 pc</b>
	<b>Pliers</b>	<b>2 pc</b>

	<b>Allen wrench set</b>	<b>2 Set</b>
	<b>Socket wrench</b>	<b>1 pc</b>
	<b>Screw driver</b>	<b>1 Set</b>
	<b>Plastic hammer</b>	<b>1 pc</b>
	<b>Iron hammer</b>	<b>2 pc</b>
	<b>Electrical screw driver</b>	<b>2 pc</b>
	<b>Cutter</b>	<b>1 pc</b>
	<b>Silicon gun</b>	<b>2 pc</b>
	<b>Bits</b>	<b>2 Set</b>
	<b>PH2X100 Bits</b>	<b>2 pc</b>
	<b>APEX 493 A Bits</b>	<b>2 pc</b>
	<b>Insulating Tape (Black)</b>	<b>6 pc</b>
	<b>Insulating Tape (White)</b>	<b>6 pc</b>
	<b>Glue</b>	<b>2 pc</b>
	<b>Punch driller 70 mm</b>	<b>2 pc</b>
	<b>Guide drill bit</b>	<b>1 set</b>

## 7. FREQUENTLY ASKED QUESTIONS

FAQ	REASON	HOW TO RESOLVE?
The product motor would not start	The motor is not energized	Check the switch of the current distribution board connected to the motor is on.
	The motor has no regular current	Disconnect the power and wait for 15 minutes then try to start again. Please call our technical service if the motor is not started again.
The product does not work properly	Erroneous installation	Please call our technical service.
	Natural disasters	Please call our technical service.
Lights are not on	Not all lights are on	It should be checked if the product is energized. The power must be disconnected and connected again. Please call our technical service if nothing changes at lights.
	Part of the lights is not on	Please call our technical service.
The remote controller does not work	It does not control the product	The battery should be replaced. Please call our technical service if it still does not work.
	Lights are not on	
The product leaks water	Eaves troughs overflow	It should be checked if drains inside eaves troughs are unblocked.
	The product isolation leaks water	Make sure that areas of the system water tightness gaskets are clean (leaves, branches, etc.). Please call our technical service if the problem is not solved.

## 8. RISK TABLE



### Guarantee of Quality and Certificates

Palmiye consolidates its quality understanding starting with the selection of raw material with modern production techniques, functionality and visual design approaches. We are aware that the “Quality” is not only a fact of production and that we may never be successful without turning this into a common “feeling” shared by all of our employees. Our efforts aimed at offering its customers products they can use for many years with great satisfaction has turned Palmiye into one of the leading brands in national and international market.

Palmiye is the sector leader in terms of adopting and applying ISO 9001: 2008 standards. As an outcome of the meticulous studies conducted by the R&D department, all of our products have been awarded the CE quality certificate.

By attaching the CE mark to its products, Palmiye declares that it meets the EU safety, health, and environment requirements.







[www.palmiye.eu](http://www.palmiye.eu)



**PALMIYE**  
Four Seasons Outdoor Living Areas

The logo features a stylized, curved graphic element above the brand name. The brand name 'PALMIYE' is in a bold, sans-serif font, and the tagline 'Four Seasons Outdoor Living Areas' is in a smaller, regular sans-serif font below it.